

NETTLETON AVE. NEIGHBORHOOD STORM DRAIN IMPROVEMENTS NAUGATUCK, CONNECTICUT

100% CONSTRUCTION DOCUMENTS SEPTEMBER 2010

PROJECT LOCATION



SITE LOCATION MAP

Sheet List Table	
Sheet Number	Sheet Title
	TITLE SHEET
G-000	GENERAL NOTES
C-001	PROJECT PLAN
C-002	EXISTING CONDITIONS PLAN
C-003	EXISTING CONDITIONS PLAN
C-004	DEMOLITION PLAN
C-005	DEMOLITION PLAN
C-101	LAYOUT PLAN
C-102	LAYOUT PLAN
C-103	LAYOUT PLAN
C-201	DRAINAGE PLAN
C-202	DRAINAGE PLAN
C-202	DRAINAGE PLAN
C-203	DRAINAGE PLAN
C-204	DRAINAGE PLAN
C-205	DRAINAGE PLAN
C-401	INTERSECTION GRADING PLAN
C-601	SITE DETAILS
C-602	SITE DETAILS
C-603	SITE DETAILS
C-604	SITE DETAILS
C-605	SITE DETAILS
C-701	TYPICAL SECTIONS

File: I:\20466\CADD\CADD_SHEET_FILES\NETTLETON AVE DESIGN\TITLE SHEET.DWG
Saved: 9/23/2010 9:02:17 AM Plotted: 3/18/2011 8:38:07 AM User: Taylor, Matthew

No.	Submitted / Revision	App'd	By	Date

BOROUGH OF NAUGATUCK
229 CHURCH STREET
NAUGATUCK, CT 06770

Drawing Copyright © 2010
CHIA
 2139 Sias Deane Highway, Suite 212 - Rocky Hill, CT 06067-2936
 Main: (860) 257-4557 • www.chiacompanies.com
 UNAPPROVED FOR CONSTRUCTION. NO GUARANTEE FOR ACCURACY. CONSULT APPLICABLE STATE AND/OR LOCAL LAWS.
 Designed: MWT Drawn: MWT Checked:

STORM SEWER IMPROVEMENTS
NETTLETON AVENUE
TITLE SHEET
Issue Date: 9/10 Project No.: 20466 Scale: AS NOTED

TITLE

BASE MAPPING NOTES

1. THIS SURVEY HAS BEEN PREPARED PURSUANT TO THE REGULATIONS OF CONNECTICUT STATE AGENCIES SECTIONS 20-300b-1 THROUGH 20-300b-20 AND THE "STANDARDS FOR SURVEYS AND MAPS IN THE STATE OF CONNECTICUT" AS ADOPTED BY THE CONNECTICUT ASSOCIATION OF LAND SURVEYORS INC. ON SEPTEMBER 26, 1996. THE BOUNDARY LINES SHOWN ON THIS PLAN WERE COMPILED FROM OTHER MAPS, RECORD RESEARCH OR OTHER SOURCES OF INFORMATION. IT IS NOT TO BE CONSTRUED AS HAVING BEEN OBTAINED AS THE RESULT OF A FIELD SURVEY, AND IS SUBJECT TO SUCH CHANGE AS AN ACCURATE FIELD SURVEY MAY DISCLOSE.

TYPE OF SURVEY: TOPOGRAPHIC

BOUNDARY DETERMINATION CATEGORY: PARTIAL

CLASS OF ACCURACY: HORIZONTAL CLASS A-2
VERTICAL CLASS V-2
TOPOGRAPHIC CLASS T-2

2. PROPERTY LINE SHOWN HEREON ARE FROM RECORD DEEDS PLOTS AND TAX MAPS AS OVERLAIN ON ANY MONUMENTATION OR OTHER EVIDENCE THAT MAY HAVE BEEN LOCATED DURING THE TOPOGRAPHIC SURVEY. A PROPERTY SURVEY WAS NOT PERFORMED BY CHA INC. AND AS A RESULT THE PROPERTY LINES SHOWN ARE APPROXIMATE AND DO NOT PRESENT A PROPERTY/BOUNDARY OPINION.

3. BASE MAPPING PREPARED BY CHA INC. FROM A DECEMBER 2009 FIELD SURVEY AND COMPILED RECORD PLAN & UTILITY TIE INFORMATION.

4. NORTH ORIENTATION IS BASED ON GPS OBSERVATIONS TAKEN AT THE TIME OF THE FIELD SURVEY.

5. UNDERGROUND UTILITIES, STRUCTURES AND FACILITIES HAVE BEEN SHOWN FROM LIMITED RECORD PLANS, SURFACE LOCATIONS AND MEASUREMENTS OBTAINED FROM THE FIELD SURVEY, THEREFORE THEIR LOCATIONS MUST BE CONSIDERED APPROXIMATE ONLY. THERE MAY BE OTHER UTILITIES WHICH THE EXISTENCE OF ARE NOT KNOWN. SIZE, TYPE AND LOCATION OF ALL UTILITIES AND STRUCTURES MUST BE VERIFIED BY PROPER AUTHORITIES PRIOR TO ANY AND ALL CONSTRUCTION. CALL DIG SAFE PRIOR TO ANY EXCAVATION.

6. SUBJECT TO ANY STATEMENT OF FACTS THAT AN UP-TO-DATE ABSTRACT OF TITLE WOULD DISCLOSE.

7. SUBJECT TO ALL RIGHTS, EASEMENTS, COVENANTS OR RESTRICTIONS OF RECORD.

8. LATITUDE/LONGITUDE ARE REFERENCED TO NAD83 CONNECTICUT ZONE. COORDINATES SHOWN, IF ANY, ARE EXPRESSED IN U.S. SURVEY FEET. ELEVATIONS ARE REFERENCED TO NAVD 1988. TOP OF STRUCTURE HEIGHT AS SHOWN, IF ANY, DETERMINED BY VERTICAL ANGLE OR BY ACTUAL LOCATION.

9. DUE TO SNOW COVERED CONDITIONS AT THE TIME OF THE FIELD SURVEY, CERTAIN PLANIMETRIC AND TOPOGRAPHIC FEATURES MAY EXIST AND MAY NOT BE SHOWN.

SITE REMOVAL NOTES

- ALL CONSTRUCTION DEBRIS SHALL BE DISPOSED OF OFF-SITE IN A LEGAL MANNER, AT THE CONTRACTOR'S EXPENSE.
- ONLY CLEAN SOIL AND AGGREGATE MATERIAL, THAT HAS BEEN APPROVED BY THE ENGINEER, SHALL BE REUSED AS PART OF THIS CONSTRUCTION.
- THE CONTRACTOR SHALL EXERCISE CARE DURING REMOVAL OPERATIONS. ANY ITEMS INDICATED TO REMAIN THAT ARE DAMAGED DURING REMOVAL OPERATIONS SHALL BE REPAIRED OR REPLACED IN KIND AT THE CONTRACTOR'S EXPENSE.
- DEMOLITION PLAN SHOWS GENERAL REMOVALS. ADDITIONAL ITEMS MAY NEED TO BE REMOVED TO COMPLETE THE PROJECT. ASPHALT AND CONCRETE REMOVALS NOT DEPICTED.
- REMOVE SHALL MEAN REMOVE AND DISPOSE UNLESS NOTED OTHERWISE.
- THE CONTRACTOR SHALL RECORD LOCATION, DIMENSIONS & LAYOUT OF ALL PAVEMENT MARKINGS PRIOR TO ANY REMOVALS.

SITE LAYOUT NOTES

- THE CONTRACTOR SHALL BE RESPONSIBLE FOR PROVIDING ALL FIELD LAYOUT. THE CONTRACTOR SHALL MAKE TIES TO ALL UTILITY CONNECTIONS AND PROVIDE AS-BUILT PLANS FOR ALL UTILITIES SHOWING TIES TO CONNECTIONS, BENDS, VALVES, LENGTHS OF LINES, AND INVERTS. AS-BUILT PLANS SHOWING ALL UNDERGROUND UTILITIES INSTALLED OR ENCOUNTERED SHALL BE REVIEWED BY THE ENGINEER. THE CONTRACTOR SHALL PROVIDE ANY CORRECTIONS OR ADDITIONS TO THE SATISFACTION OF THE OWNER AND HIS REPRESENTATIVES BEFORE UTILITIES WILL BE ACCEPTED.
- THE CONTRACTOR SHALL PROVIDE SMOOTH TRANSITIONS BETWEEN NEW WORK AND EXISTING CONDITIONS.
- ALL DIMENSIONS SHALL MATCH EX. CONDITIONS U.N.O.
- PRIVATE PROPERTY ACCESS WALK REPLACEMENT NOT DEPICTED. THE CONTRACTOR SHALL REPLACE IN KIND ALL ACCESS PATHS DISTURBED. END OF REPLACEMENT SHALL BE AT CLEAN SAWCUT LINE.
- LANDSCAPE AREAS SHALL BE RESTORED WITH A MINIMUM OF 6 INCHES OF TOPSOIL AND HYDROSEEDDED.
- THE CONTRACTOR SHALL REPLACE ALL PAVEMENT MARKINGS TO MATCH EXISTING CONDITIONS.

UTILITY NOTES

- UNDERGROUND UTILITIES, STRUCTURES AND FACILITIES HAVE BEEN SHOWN FROM LIMITED RECORD PLANS, SURFACE LOCATIONS AND MEASUREMENTS OBTAINED FROM THE FIELD SURVEY, THEREFORE THEIR LOCATIONS MUST BE CONSIDERED APPROXIMATE ONLY. THERE MAY BE OTHER UTILITIES WHICH THE EXISTENCE OF ARE NOT KNOWN. SIZE, TYPE AND LOCATION OF ALL UTILITIES AND STRUCTURES MUST BE VERIFIED BY PROPER AUTHORITIES PRIOR TO ANY AND ALL CONSTRUCTION. CALL DIG SAFE PRIOR TO ANY EXCAVATION.
- THE LOCATION OF SOME UTILITY SERVICE LATERALS ARE UNKNOWN. CONTRACTOR SHALL LOCATE ALL SERVICE LATERALS WITHIN PROJECT LIMITS AND RECONNECT THEM TO NEW MAINS. CONTRACTOR SHALL ALSO RELOCATE ANY EXISTING LATERALS THAT ARE IN CONFLICT WITH PROPOSED CONSTRUCTION.
- EXISTING WATER & NATURAL GAS MAIN DEPTHS ARE ASSUMED.
- EXISTING WATER & SANITARY SEWER SERVICE LATERAL SIZE & MATERIAL SHOWN ON PLAN ARE ASSUMED.
- THE CONTRACTOR SHALL TAKE CARE TO PREVENT DAMAGE TO EXISTING UTILITIES. DAMAGED UTILITIES SHALL BE IMMEDIATELY REPAIRED BY THE CONTRACTOR AT THE CONTRACTOR'S EXPENSE.
- ALL UTILITY WORK INVOLVING CONNECTIONS TO EXISTING SYSTEMS SHALL BE COORDINATED WITH THE ENGINEER AND THE UTILITY OWNER. NOTIFY THE OWNER AND ENGINEER AT LEAST 72 HOURS PRIOR TO EACH AND EVERY CONNECTION THAT IS MADE.
- CONSTRUCTION OF ALL PROPOSED UTILITIES MUST BEGIN AT ITS POINT OF CONNECTION TO THE EXISTING UTILITY, OR AT THE LOWEST POINT IN THE SYSTEM. RIMS, GRATES, INVERTS, CLEARANCES AND LOCATIONS AT CROSSINGS MUST BE VERIFIED PRIOR TO THE COMMENCEMENT OF CONSTRUCTION.
- PIPE LENGTHS SHOWN ARE MEASURED FROM THE INSIDE WALL OF MANHOLE TO THE INSIDE WALL OF MANHOLE. INVERTS SHOWN ARE AT INSIDE WALL OF MANHOLE UNLESS NOTED OTHERWISE.
- THE CONTRACTOR SHALL COORDINATE AND VERIFY MANHOLE AND CATCH BASIN RIM ELEVATIONS WITH EXISTING GRADES.
- MINIMUM BURY DEPTH OF WATER SERVICES SHALL BE 5.0' TO TOP OF PIPE.
- THE CONNECTICUT WATER COMPANY WILL OPERATE ALL EXISTING VALVES AND HYDRANTS.
- MINIMUM SEPARATION BETWEEN WATER MAIN AND SEWER MAIN SHALL BE MAINTAINED. 10' HORIZONTAL AND 1.5' VERTICAL. SANITARY SEWER SHALL BE ENCASED IN CONCRETE AT LOCATIONS WHERE MINIMUM SEPARATION CANNOT BE MAINTAINED.
- MINIMUM BURY DEPTH OF SANITARY SEWER SERVICES SHALL BE 3' TO TOP OF PIPE.

GENERAL NOTES

- THE PLANS SHOW SUBSURFACE STRUCTURES, ABOVE-GROUND STRUCTURES AND/OR UTILITIES FROM FIELD LOCATION AND RECORD MAPPING, EXACT LOCATION OF WHICH MAY VARY FROM THE LOCATIONS INDICATED. IN PARTICULAR, THE CONTRACTOR IS WARNED THAT THE EXACT OR EVEN APPROXIMATE LOCATION OF SUCH PIPELINES, SUBSURFACE STRUCTURES AND/OR UTILITIES IN THE AREA MAY BE DIFFERENT FROM THAT SHOWN OR MAY NOT BE SHOWN, AND IT SHALL BE HIS RESPONSIBILITY TO PROCEED WITH GREAT CARE IN EXECUTING ANY WORK. 48 HOURS BEFORE YOU DIG, DRILL, OR BLAST, CALL "CALL BEFORE YOU DIG" AT 1-800-922-4455 TOLL FREE.
- THE ENGINEER SHALL BE NOTIFIED IN WRITING OF ANY CONDITIONS THAT VARY FROM THOSE SHOWN ON THE PLANS. THE CONTRACTOR'S WORK SHALL NOT VARY FROM THE PLANS WITHOUT THE EXPRESSED APPROVAL OF THE ENGINEER.
- THE CONTRACTOR IS INSTRUCTED TO COOPERATE WITH ANY AND ALL OTHER CONTRACTORS PERFORMING WORK ON THIS JOB SITE DURING THE PERFORMANCE OF THIS CONTRACT.
- THE CONTRACTOR SHALL RESTORE LAWNS, DRIVEWAYS, CULVERTS, SIGNS AND OTHER PUBLIC OR PRIVATE PROPERTY DAMAGED OR REMOVED TO AT LEAST AS GOOD A CONDITION AS BEFORE BEING DISTURBED AS DETERMINED BY THE ENGINEER. ANY DAMAGED TREES, SHRUBS, AND/OR HEDGES SHALL BE REPLACED AT THE CONTRACTOR'S EXPENSE.
- PRIOR TO COMMENCEMENT OF STORM AND/OR SANITARY SEWER CONSTRUCTION, CONTRACTOR IS TO VERIFY BOTH HORIZONTAL AND VERTICAL POSITION OF EXISTING SEWER AT CONNECTION POINT. CONTRACTOR IS TO CONSTRUCT GRAVITY LINES PROGRESSIVELY FROM DOWNSTREAM TO UPSTREAM, ANY EXCEPTIONS TO THIS MUST BE APPROVED BY THE ENGINEER. ANY GRADE DISCREPANCIES MUST BE BROUGHT TO THE ENGINEER'S ATTENTION IMMEDIATELY.
- THE CONTRACTOR SHALL BE RESPONSIBLE FOR OBTAINING AND INCURRING THE COST OF ALL REQUIRED PERMITS, INSPECTIONS, CERTIFICATES, ETC., AND SHALL COMPLY WITH ALL REQUIRED PERMITS.
- ALL WORK SHALL BE DONE IN STRICT COMPLIANCE WITH ALL APPLICABLE NATIONAL, STATE, AND LOCAL CODES, STANDARDS, ORDINANCES, RULES, AND REGULATIONS.
- ALL PROPOSED UTILITIES AND APPURTENANCES TO BE CONSTRUCTED IN COMPLIANCE WITH THE LOCAL MUNICIPALITIES' CODES AND REGULATIONS GOVERNING THE INSTALLATION OF SUCH UTILITIES.
- THE ENGINEER RESERVES THE RIGHT TO EXAMINE ANY WORK DONE ON THIS PROJECT AT ANY TIME TO DETERMINE THE CONFORMANCE WITH THE REQUIREMENTS OF THE CONTRACT DOCUMENTS OF THIS PROJECT, AS INTENDED AND INTERPRETED BY THE ENGINEER.
- MISCELLANEOUS WORK NOT SPECIFICALLY SHOWN ON THE CONTRACT DRAWINGS SUCH AS PATCHING, BLOCKING, TRIMMING, ETC., SHALL BE PERFORMED AS REQUIRED TO MAKE THE WORK COMPLETE.
- THE CONTRACTOR SHALL PROTECT EXISTING PROPERTY LINE MONUMENTATION. ANY MONUMENTATION DISTURBED OR DESTROYED, AS JUDGED BY THE ENGINEER OR OWNER, SHALL BE REPLACED AT THE CONTRACTOR'S EXPENSE UNDER THE SUPERVISION OF A CONNECTICUT STATE LICENSED LAND SURVEYOR.
- IT IS THE CONTRACTOR'S RESPONSIBILITY TO EXAMINE ALL PLAN SHEETS AND COORDINATE WORK WITH ALL OTHER CONTRACTS FOR THE SITE.
- THE CONTRACTOR SHALL:
 - VERIFY ALL CONDITIONS IN THE FIELD PRIOR TO COMMENCEMENT OF WORK AND NOTIFY THE ENGINEER OF ANY DISCREPANCIES.
 - EXAMINE THE SITE AND INCLUDE IN HIS WORK THE EFFECT OF ALL EXISTING CONDITIONS ON THE WORK.
 - PROVIDE AND INSTALL ALL MATERIALS AND PERFORM ALL WORK IN ACCORDANCE WITH RECOGNIZED GOOD STANDARD PRACTICE.
 - HOLD THE OWNER HARMLESS AGAINST ANY AND ALL CLAIMS ARISING FROM WORK DONE BY THE CONTRACTOR ON THE SITE.
- ALL EXCAVATIONS SHALL BE PLATED OR TEMPORARILY PAVED AT THE END OF EACH DAY, UNLESS APPROVED BY THE BOROUGH ENGINEER. HOT MIX SHALL BE USED WHEN AVAILABLE. COLD PATCH SHALL BE CLASS 5A. EMPHASIS MUST BE PLACED THE BACKFILLING AND COMPACTION OF THE ORIGINAL TRENCH TO AVOID ANY FUTURE SETTLEMENT. TEMPORARY REPAIR SHALL INCLUDE PROCESSED GRAVEL TO A DEPTH AS REQUIRED TO OBTAIN 10 INCHES FOLLOWING PERMANENT REPAIR. AFTER COMPACTION OF PROCESS GRAVEL, THE EXCAVATED AREA SHALL BE PAVED WITH 2.5 INCHES OF BITUMINOUS CONCRETE CLASS 1. PLATES WILL NOT BE ALLOWED DURING THE WINTER MONTHS.
- ALL TRENCH EXCAVATION AND ANY REQUIRED SHEETING AND SHORING SHALL BE DONE IN ACCORDANCE WITH THE LATEST CONNECTICUT AND OSHA REGULATIONS FOR CONSTRUCTION. SHEET PILING SHALL BE DESIGNED AND SEALED BY A CONNECTICUT STATE PROFESSIONAL ENGINEER.
- CONTRACTOR SHALL BE RESPONSIBLE FOR DEWATERING AND THE MAINTENANCE OF SURFACE DRAINAGE DURING THE COURSE OF WORK AND SHALL SUBMIT A DEWATERING PLAN DESIGNED AND SEALED BY A CONNECTICUT PROFESSIONAL ENGINEER. CONTRACTOR SHALL MAINTAIN EXISTING SITE DRAINAGE PATTERNS THROUGHOUT CONSTRUCTION UNLESS OTHERWISE SHOWN ON THE PLANS.
- ALL UTILITY WORK INVOLVING CONNECTIONS TO EXISTING SYSTEMS SHALL BE COORDINATED WITH THE ENGINEER AND THE UTILITY OWNER. NOTIFY THE ENGINEER AND THE UTILITY OWNER 72 HOURS BEFORE EACH AND EVERY CONNECTION TO EXISTING SYSTEMS IS MADE.
- CONSTRUCTION OF ALL PROPOSED UTILITIES MUST BEGIN AT ITS POINT OF CONNECTION TO THE EXISTING UTILITY OR AT THE LOWEST POINT IN THE SYSTEM. RIMS, GRATES, INVERTS, CLEARANCES, AND LOCATION AT CROSSINGS MUST BE VERIFIED PRIOR TO THE BEGINNING OF CONSTRUCTION.
- MAINTAIN FLOW FOR ALL EXISTING UTILITIES.
- ALL FRAMES/COVERS WITHIN PAVED AREAS SHALL HAVE THE TOPS SET FLUSH WITH THE EXISTING PAVEMENT GRADE. IN LANDSCAPED AREAS, ALL FRAMES SHALL BE 0.1' ABOVE GRADE.
- THE CONTRACTOR SHALL BE RESPONSIBLE FOR PROVIDING ALL FIELD LAYOUT. THE CONTRACTOR SHALL TAKE TIES TO ALL UTILITY CONNECTIONS AND PROVIDE MARKED-UP AS-BUILT PLANS FOR ALL UTILITIES SHOWING TIES TO CONNECTIONS, BENDS, VALVES, LENGTHS OF LINES, AND INVERTS. AS-BUILT PLANS SHOWING ALL UNDERGROUND UTILITIES INSTALLED OR ENCOUNTERED SHALL BE REVIEWED BY THE OWNER AND HIS REPRESENTATIVES. THE CONTRACTOR SHALL PROVIDE ANY CORRECTION OR ADMISSIONS TO THE SATISFACTION OF THE OWNER AND HIS REPRESENTATIVES BEFORE UTILITIES WILL BE ACCEPTED.
- CONTRACTOR SHALL MAINTAIN ALL TRAFFIC IN ALL AREAS IN ACCORDANCE WITH THE CONNECTICUT DEPARTMENT OF TRANSPORTATION, THE BOROUGH OF NAUGATUCK & THE MANUAL ON UNIFORM TRAFFIC CONTROL DEVICES.
- CONTRACTOR SHALL MAINTAIN ACCESS TO ALL COMMERCIAL, RESIDENTIAL, AND PUBLIC PROPERTIES.
- ALL EXCAVATIONS SHALL BE BACKFILLED TO EXISTING GRADE OR PROPERLY PROTECTED AT THE END OF EACH DAY.
- CONTRACTOR SHALL TAKE CARE TO PREVENT DAMAGE TO EXISTING UTILITIES. DAMAGED UTILITIES SHALL BE IMMEDIATELY REPAIRED BY CONTRACTOR AT THE CONTRACTOR'S EXPENSE.

LEGENDS

EXISTING

- DECIDUOUS TREE OR BUSH
- CONIFEROUS TREE OR BUSH
- CONTROL POINT
- CONC. MON. FND.
- IRON PIN FND.
- MAN HOLE
- CATCH BASIN
- EXISTING SPOT ELEVATION

REMOVALS

- REMOVE & DISPOSE TREE OR PLANTING
- REMOVE & DISPOSE DMH OR CB
- REMOVE & DISPOSE/ABANDON IN PLACE UNDERGROUND UTILITY LINE
- SAW CUT LINE
- KEY-WAY LINE
- REMOVE & DISPOSE FENCE, POSTS & FOOTINGS
- BULKHEAD

PROPOSED

- BIT. CONCRETE FULL DEPTH RECONSTRUCTION 7
C-601
- BIT. CONCRETE MILL & OVERLAY 5
C-601
- BIT. CONCRETE FULL DEPTH REPLACEMENT FOR PRIVATE DRIVES 6
C-601
- CONCRETE SIDEWALK REPLACEMENT 8
C-601
- CURB REPLACEMENT OR REMOVE & RESET (SEE BASEMAP CALLOUT FOR MATERIAL TYPE)
- CHAINLINK FENCE 7
C-603

- STORM SEWER LINE
- DRAIN MANHOLE
- CATCH BASIN
- SANITARY SEWER
- WATER MAIN (BY OTHERS)
- GATE VALVE (BY OTHERS)

VIEW MARKER

- DETAIL IDENTIFICATION
- SHEET NO. WHERE DETAIL IS SHOWN
- DETAIL IDENTIFICATION
- SHEET NO. WHERE DETAIL IS CALLED OUT

No.	By	Date

BOROUGH OF NAUGATUCK
229 CHURCH STREET
NAUGATUCK, CT 06770

2139 Siles Deane Highway, Suite 212 - Rocky Hill, CT 06067-2936
 Main: (860) 257-4557 • www.chaconpanies.com
 Drawing Copyright © 2010
 Designated: MWVT | Drawn: MWVT | Checked: MWVT

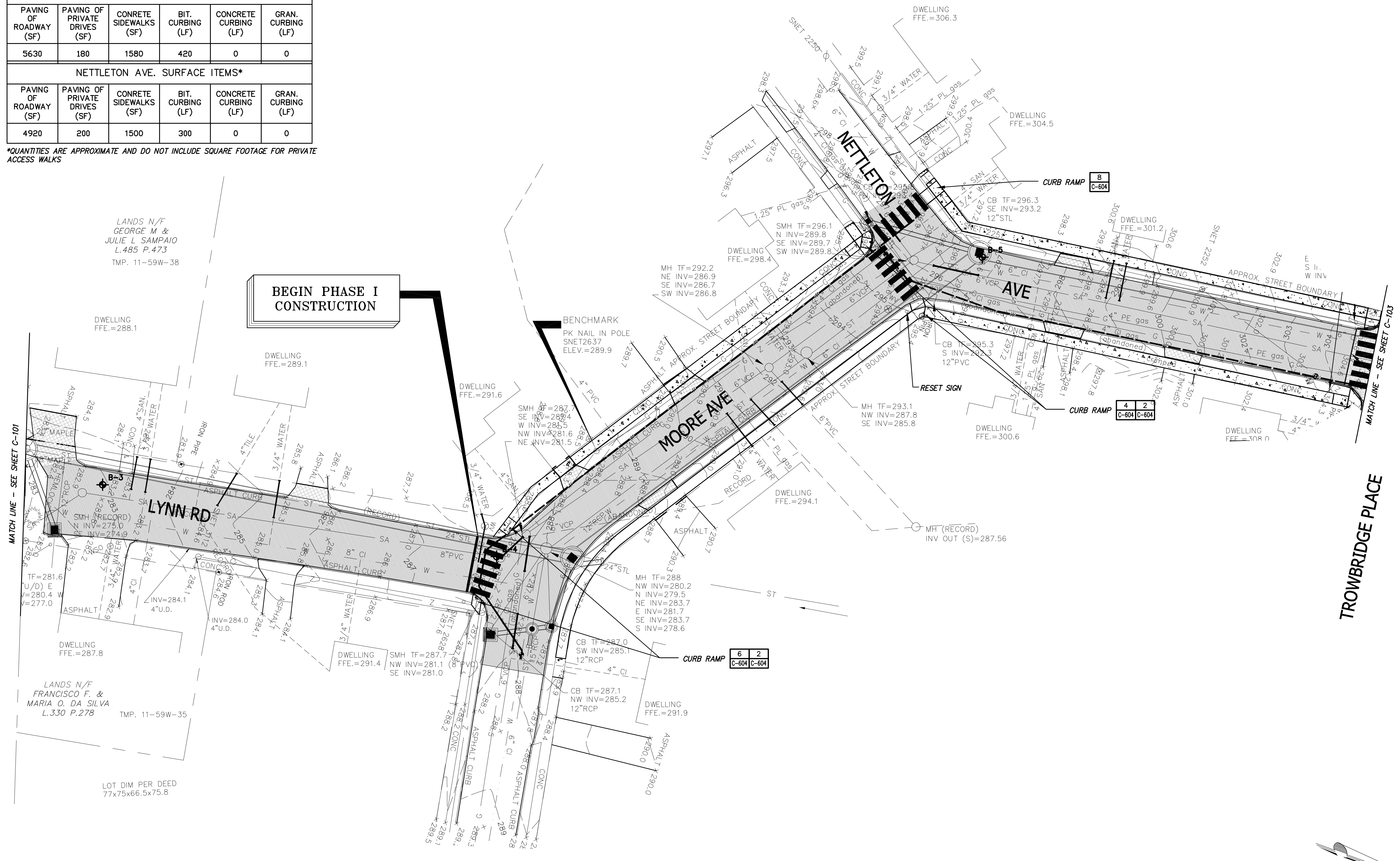
STORM SEWER IMPROVEMENTS
 NETTLETON AVENUE
 GENERAL NOTES & LEGEND
 Issue Date: 9/10 | Project No.: 20466 | Scale: AS NOTED

G-000

File: I:\20466\CADD\CAD\ACAD\ SHEET FILES\NETTLE AVE DESIGN\G-000 NOTES.DWG
Saved: 9/24/2010 10:15:37 AM Plotted: 3/18/2011 8:38:19 AM User: Taylor, Matthew

LYNN RD. SURFACE ITEMS*					
PAVING OF ROADWAY (SF)	PAVING OF PRIVATE DRIVES (SF)	CONCRETE SIDEWALKS (SF)	BIT. CURBING (LF)	CONCRETE CURBING (LF)	GRAN. CURBING (LF)
4225	425	35	280	0	0
MOORE AVE. SURFACE ITEMS*					
PAVING OF ROADWAY (SF)	PAVING OF PRIVATE DRIVES (SF)	CONCRETE SIDEWALKS (SF)	BIT. CURBING (LF)	CONCRETE CURBING (LF)	GRAN. CURBING (LF)
5630	180	1580	420	0	0
NETTLETON AVE. SURFACE ITEMS*					
PAVING OF ROADWAY (SF)	PAVING OF PRIVATE DRIVES (SF)	CONCRETE SIDEWALKS (SF)	BIT. CURBING (LF)	CONCRETE CURBING (LF)	GRAN. CURBING (LF)
4920	200	1500	300	0	0

*QUANTITIES ARE APPROXIMATE AND DO NOT INCLUDE SQUARE FOOTAGE FOR PRIVATE ACCESS WALKS



File: I:\20466\CADD\CADD_SHEET_FILES\NETTLETON AVE DESIGN\C-101 LAYOUT PLAN.DWG
 Saved: 3/17/2011 6:12:04 PM Plotted: 3/18/2011 8:39:39 AM User: Toyok, Matthew

No.	By	Date

BOROUGH OF NAUGATUCK
 229 CHURCH STREET
 NAUGATUCK, CT 06770

Drawing Copyright © 2010

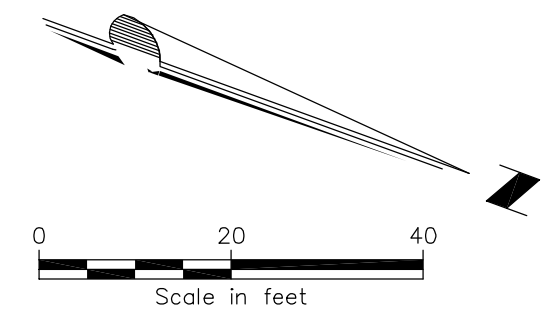
2139 Sas Deane Highway, Suite 212 - Rocky Hill, CT 06067-2936
 Main: (860) 257-4557 · www.ciainc.com

DESIGNED: MWMT DRAWN: MWMT CHECKED: MWMT

STORM SEWER IMPROVEMENTS
 NETTLETON AVENUE
 LAYOUT PLAN (2 OF 3)

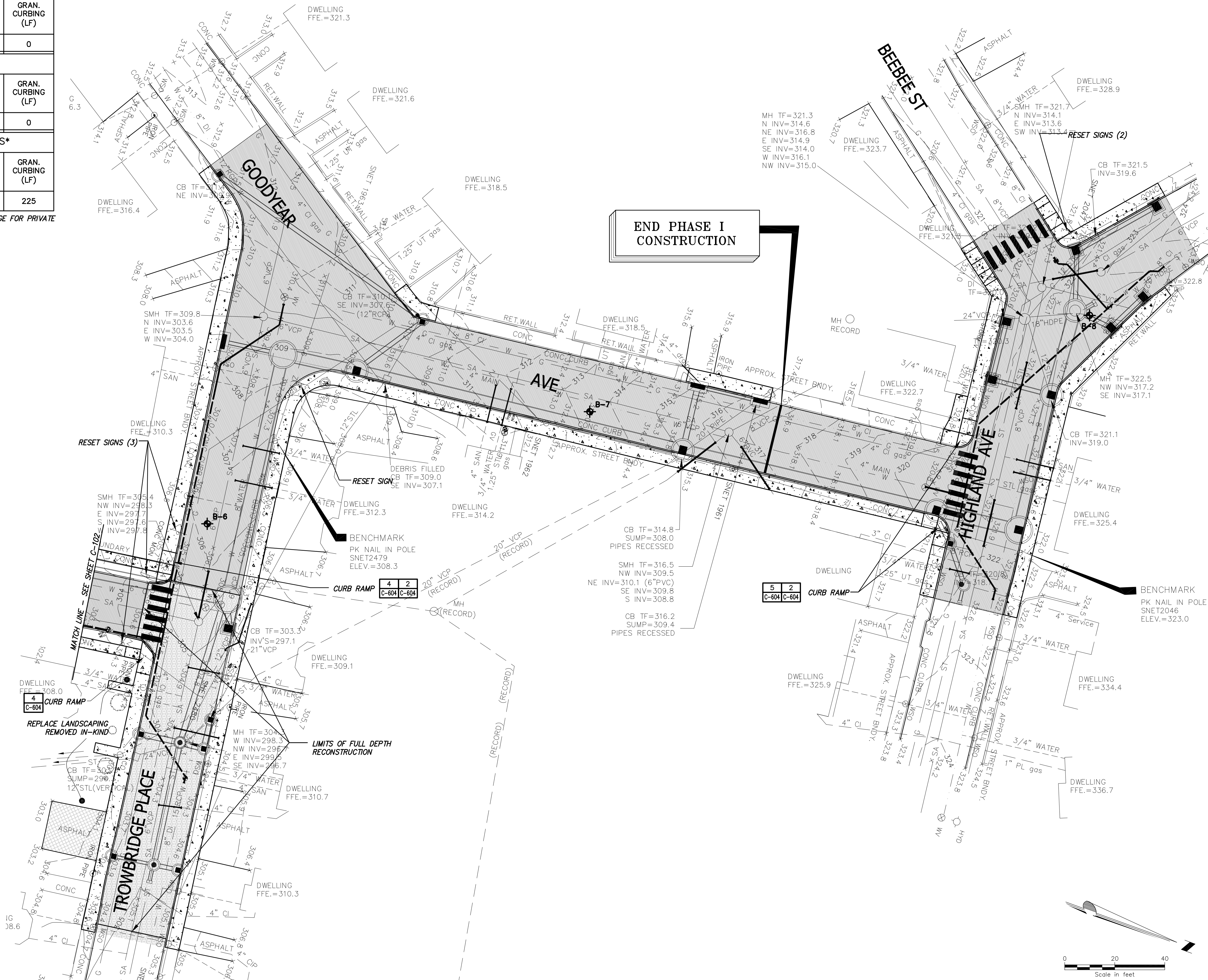
Issue Date: 9/10 Project No.: 20466 Scale: AS NOTED

C-102



TROWBRIDGE PLACE SURFACE ITEMS*					
PAVING OF ROADWAY (SF)	PAVING OF PRIVATE DRIVES (SF)	CONCRETE SIDEWALKS (SF)	BIT. CURBING (LF)	CONCRETE CURBING (LF)	GRAN. CURBING (LF)
6700	440	2580	0	425	0
GOODYEAR AVE. SURFACE ITEMS*					
PAVING OF ROADWAY (SF)	PAVING OF PRIVATE DRIVES (SF)	CONCRETE SIDEWALKS (SF)	BIT. CURBING (LF)	CONCRETE CURBING (LF)	GRAN. CURBING (LF)
5810	0	2070	0	350	0
HIGHLAND & BEEBEE AVE. SURFACE ITEMS*					
PAVING OF ROADWAY (SF)	PAVING OF PRIVATE DRIVES (SF)	CONCRETE SIDEWALKS (SF)	BIT. CURBING (LF)	CONCRETE CURBING (LF)	GRAN. CURBING (LF)
6320	0	1770	0	80	225

*QUANTITIES ARE APPROXIMATE AND DO NOT INCLUDE SQUARE FOOTAGE FOR PRIVATE ACCESS WALKS




END PHASE I CONSTRUCTION

File: I:\20466\CADD\CADD_SHEET_FILES\NETTLE AVE DESIGN\C-101 LAYOUT PLAN.DWG
 Saved: 3/17/2011 6:12:04 PM Plotted: 3/18/2011 8:39:49 AM User: Toyok, Matthew

No.	Submission / Revision	By	Date

BOROUGH OF NAUGATUCK
 229 CHURCH STREET
 NAUGATUCK, CT 06770

DRAWING PREPARED IN ACCORDANCE WITH THE REQUIREMENTS OF THE CONNECTICUT DEPARTMENT OF TRANSPORTATION AND PUBLIC SAFETY. THIS DOCUMENT IS VALID UNDER APPLICABLE STATE AND/OR LOCAL LAWS.



2138 Sias Deane Highway, Suite 212 - Rocky Hill, CT 06067-2936
 Main: (860) 257-4557 · www.ciaconpanies.com

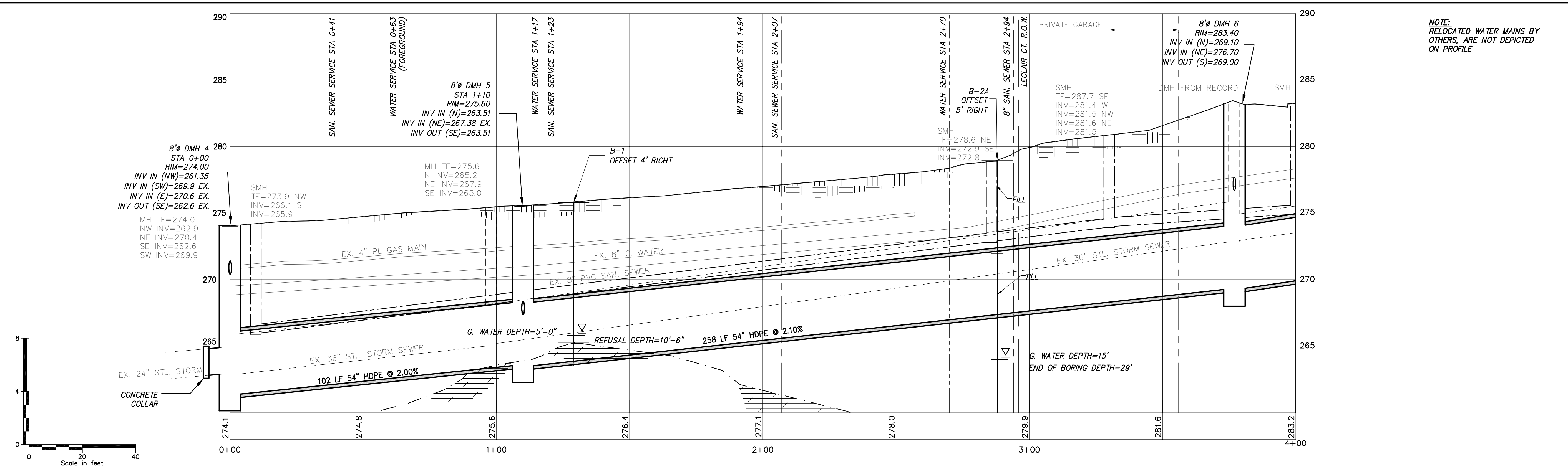
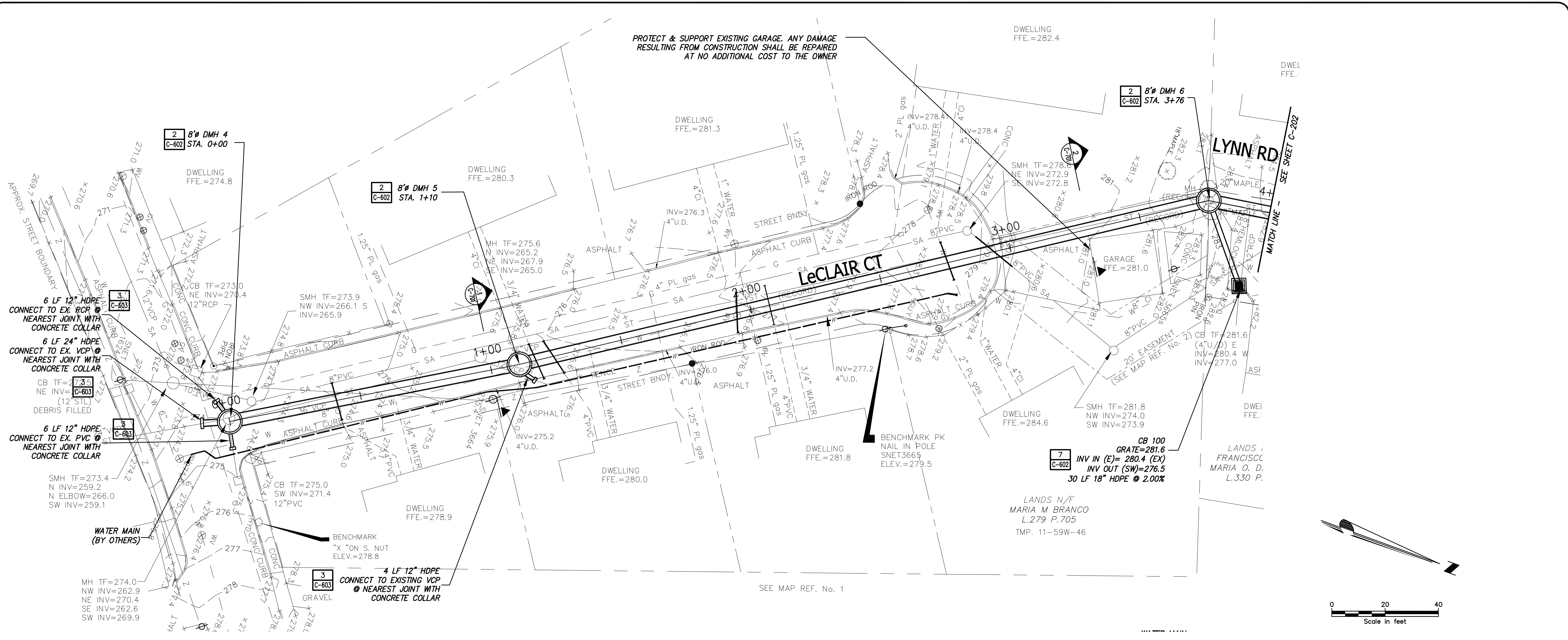
Designed: MWVT Drawn: MWVT Checked: MWVT

STORM SEWER IMPROVEMENTS
 NETTLETON AVENUE
 LAYOUT PLAN (3 OF 3)

Issue Date: 9/10 Project No.: 20466 Scale: AS NOTED

C-103

File: I:\20466\CADD\CADD_SHEET_FILES\NETILE_AVE_DESIGN\201_DRAINAGE_PLAN.DWG
 Saved: 3/17/2011 6:25:00 PM Plotted: 3/18/2011 8:40:06 AM User: Taylor, Matthew



No.	Submital / Revision	Appd.	Date

BOROUGH OF NAUGATUCK
 229 CHURCH STREET
 NAUGATUCK, CT 06770

UNPUBLISHED MATERIAL AS SHOWN
 TO THIS DOCUMENT IS A VIOLATION OF
 APPLICABLE STATE AND/OR LOCAL LAWS

Drawing Copyright © 2010

2189 Silas Deane Highway, Suite 212, Rocky Hill, CT 06867-2636
 Main: (860) 267-7657 · www.ciaconcepts.com

Designed: MWT Drawn: MWT Checked: MWT

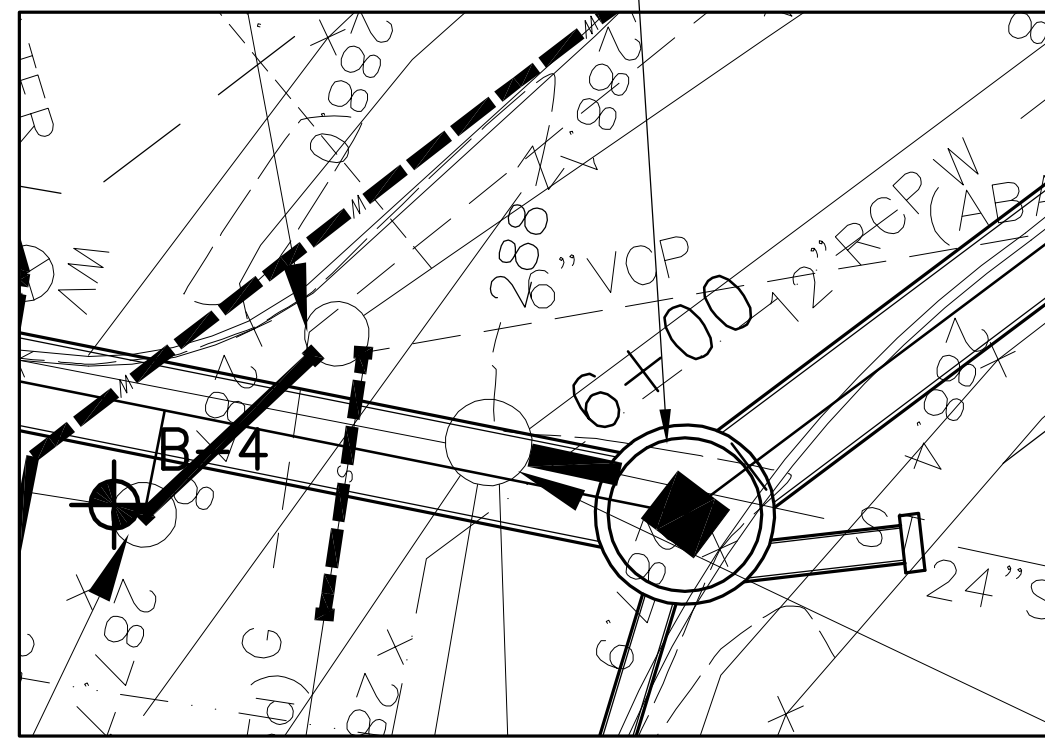
STORM SEWER IMPROVEMENTS
 NETTLETON AVENUE
 DRAINAGE PLAN (1 OF 5)

Issue Date: 9/10 Project No.: 20466 Scale: AS NOTED

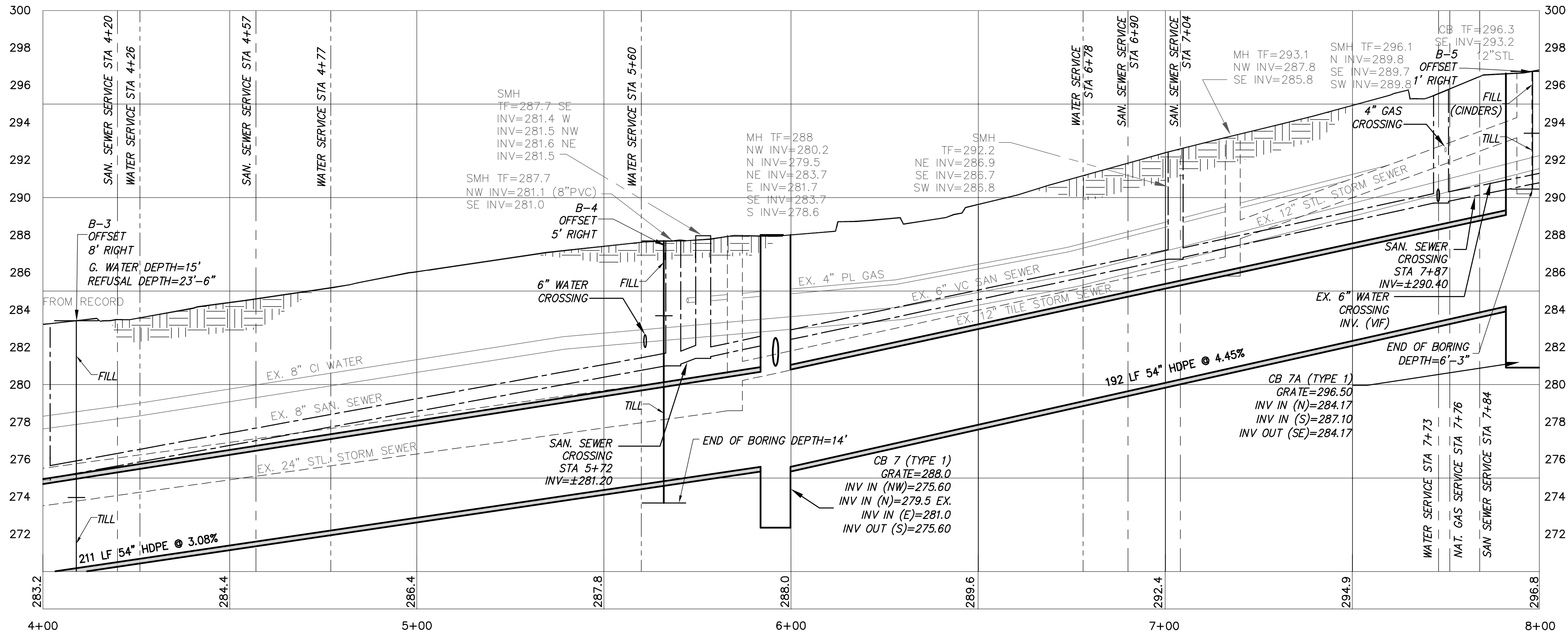
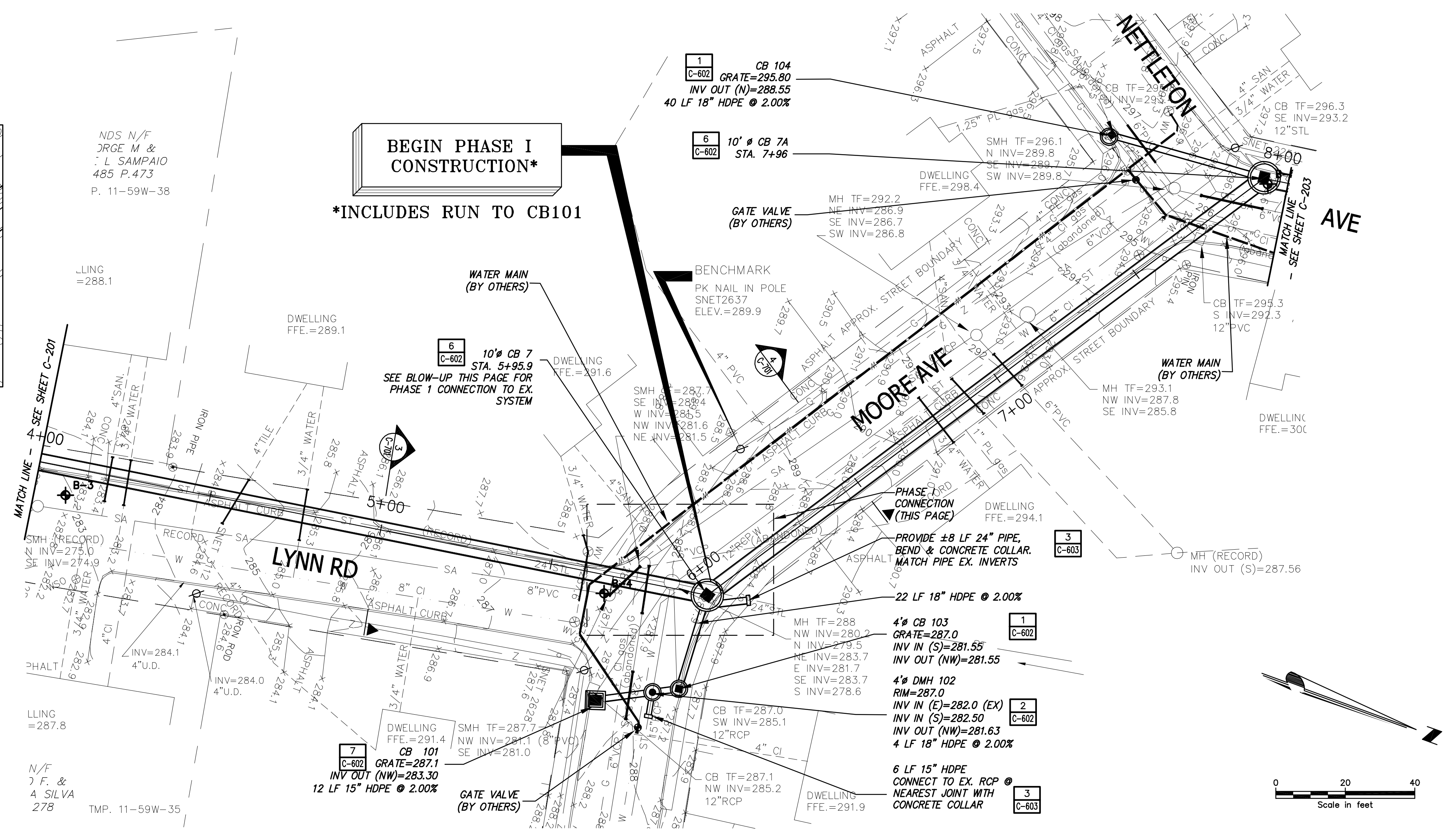
C-201

File: I:\20466\CADD\CAD\SH_EET_FILES\NETTLETON AVE DESIGN\201 DRAINAGE PLANDWG
 Saved: 3/17/2011 6:25:00 PM Plotted: 3/18/2011 8:40:17 AM User: Taylor, Matthew

CB 7 (TYPE 1)
 GRATE=288.0
 INV IN (NW)=275.60
 INV IN (N)=279.5
 INV IN (E)=281.0
 INV OUT (S)=275.60 (NOT IN PHASE I)
 MAINTAIN EX. PIPE (S) TO CONNECT TO EX. STORM SYSTEM



PHASE I CONNECTION
 SCALE: 1"=10'



No.	Submit / Revision	Appd.	Date

BOROUGH OF NAUGATUCK
 229 CHURCH STREET
 NAUGATUCK, CT 06770

UNLESS OTHERWISE NOTED, ALL DESIGN INFORMATION IS BASED ON THE INFORMATION PROVIDED TO THIS DOCUMENT. IT IS A VIOLATION OF APPLICABLE STATE AND/OR LOCAL LAWS TO REPRODUCE OR TRANSMIT THIS DOCUMENT IN ANY MANNER WITHOUT THE WRITTEN PERMISSION OF CH2M HILL.

Drawing Copyright © 2010

2158 Silas Deane Highway, Suite 212, Rocky Hill, CT 06867-2586
 Main: (860) 267-4557 · www.ch2m.com

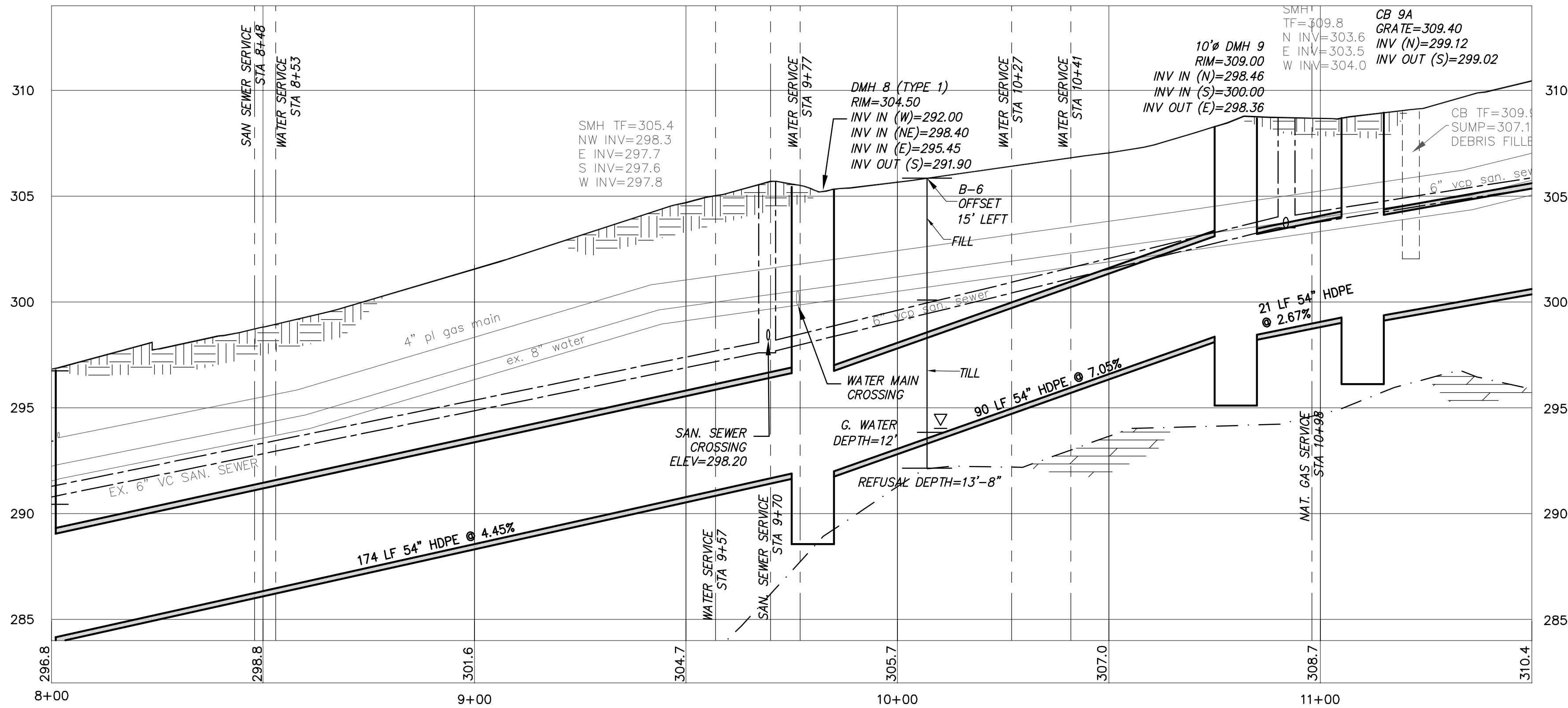
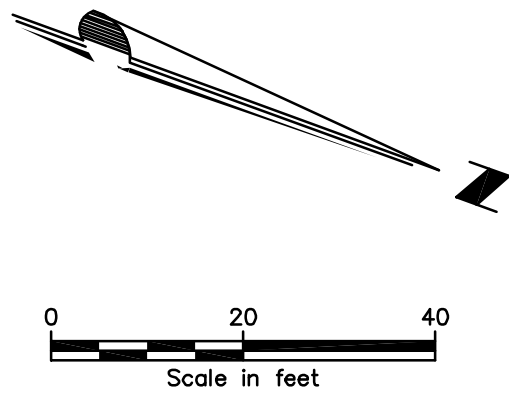
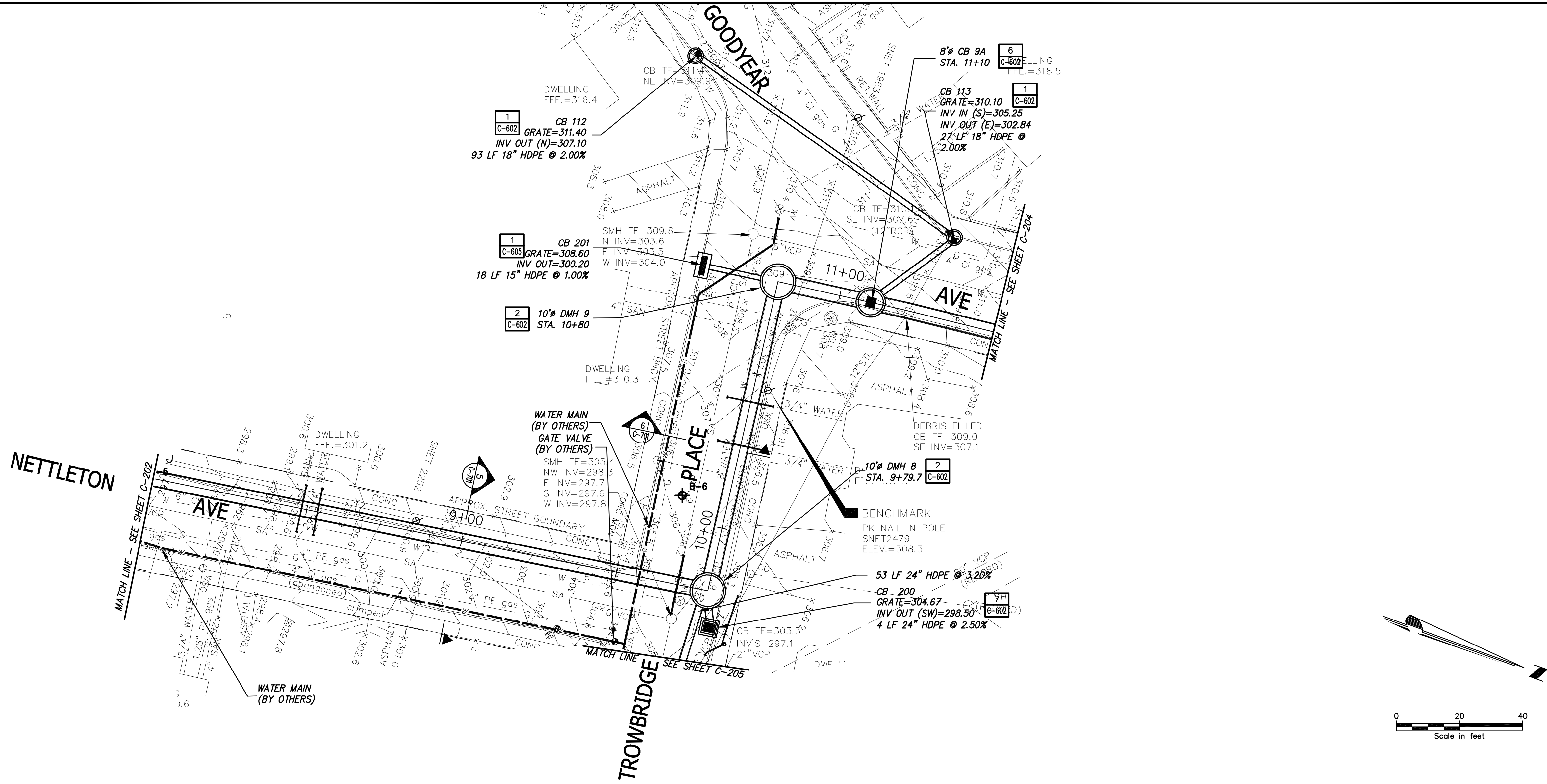
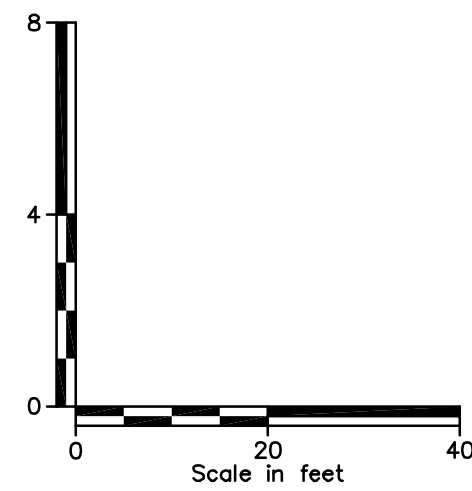
Designed: MWT | Drawn: MWT | Checked: MWT

STORM SEWER IMPROVEMENTS
 NETTLETON AVENUE
 DRAINAGE PLAN (2 OF 5)

Issue Date: 9/10 | Project No.: 20466 | Scale: AS NOTED

C-202

File: I:\20466\CADD\CADD_SHEET_FILES\NETTLE_AVE_DESIGN\201_DRAINAGE_PLAN.DWG
 Saved: 3/17/2011 6:25:00 PM Plotted: 3/18/2011 8:40:27 AM User: Taylor, Matthew



NOTE:
 RELOCATED WATER MAINS BY
 OTHERS, ARE NOT DEPICTED
 ON PROFILE

No.	Submital / Revision	By	Date

BOROUGH OF NAUGATUCK
 229 CHURCH STREET
 NAUGATUCK, CT 06770

UNAUTHORIZED ALTERATION OR ADDITION
 TO THIS DOCUMENT IS A VIOLATION OF
 APPLICABLE STATE AND/OR LOCAL LAWS

Drawing Copyright © 2010

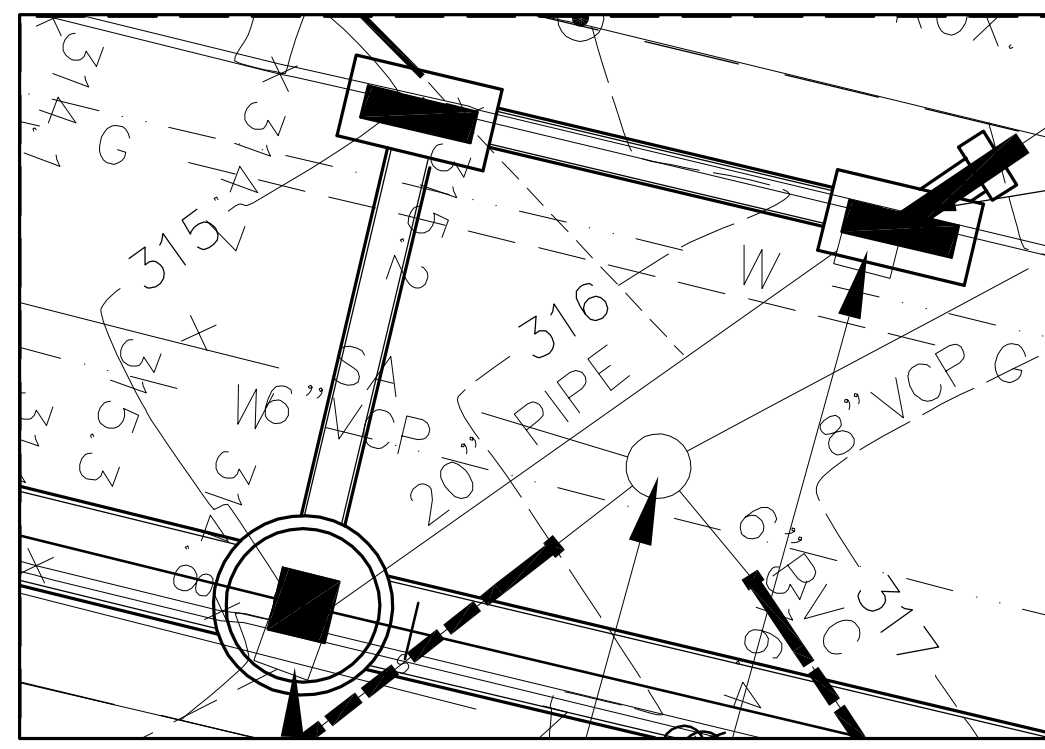
 2138 Silas Deane Highway, Suite 212, Rocky Hill, CT 06687-2936
 Main: (860) 267-6557 · www.ciaengineers.com

Designed: MWT Drawn: MWT Checked: MWT

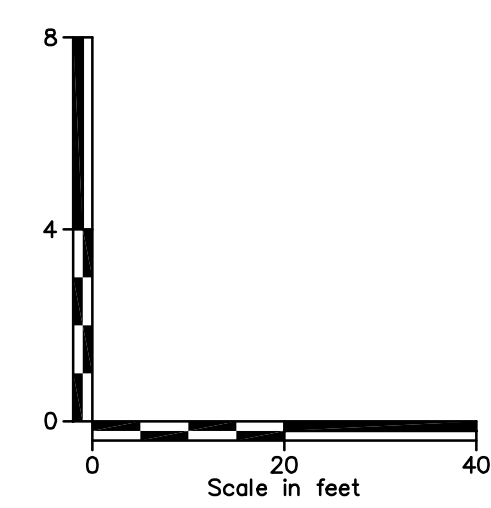
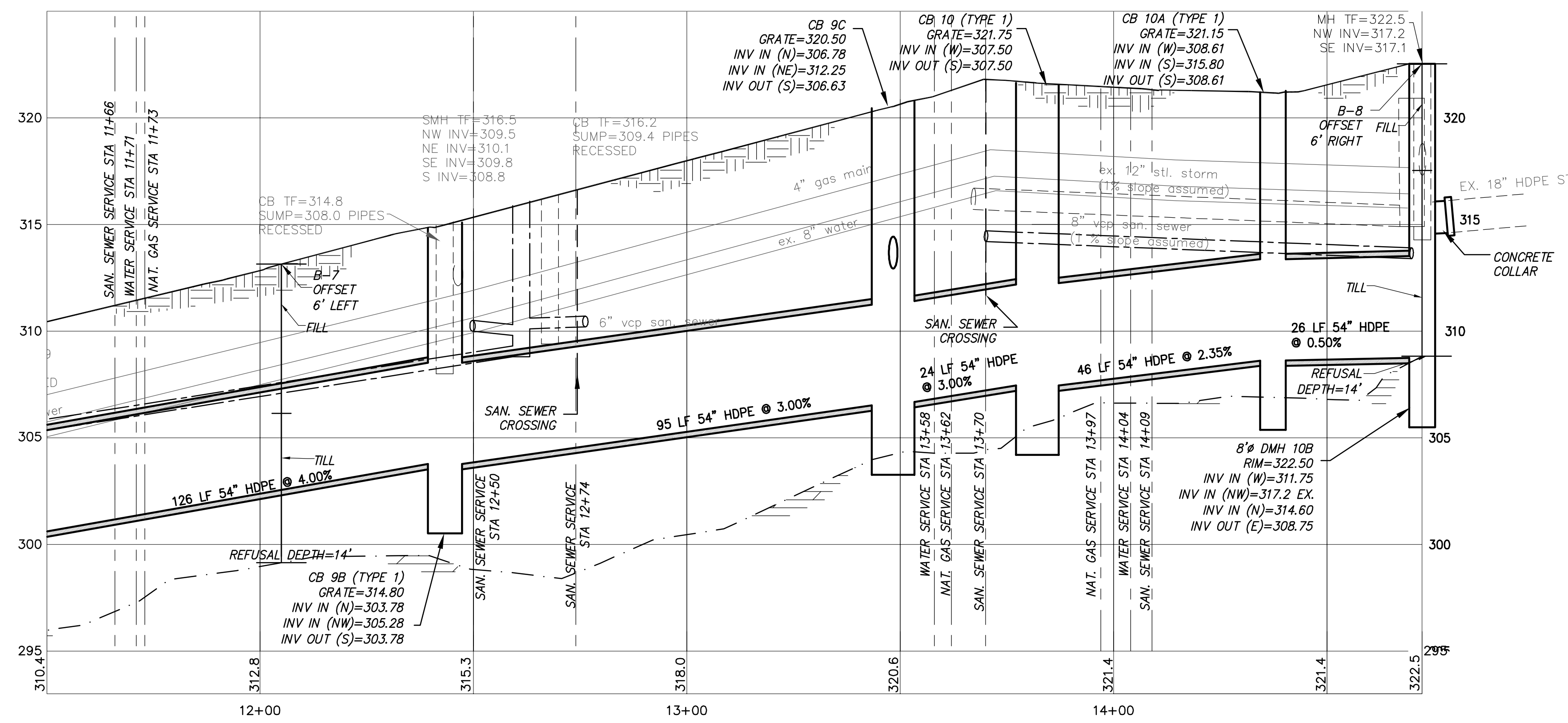
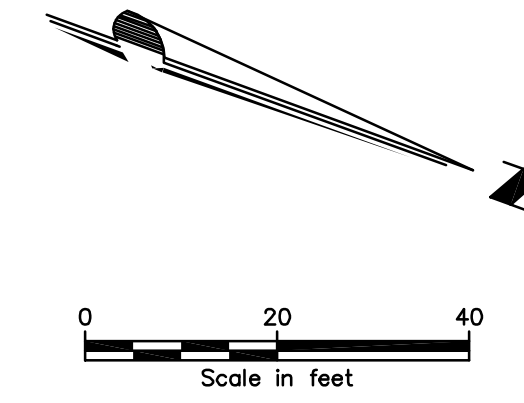
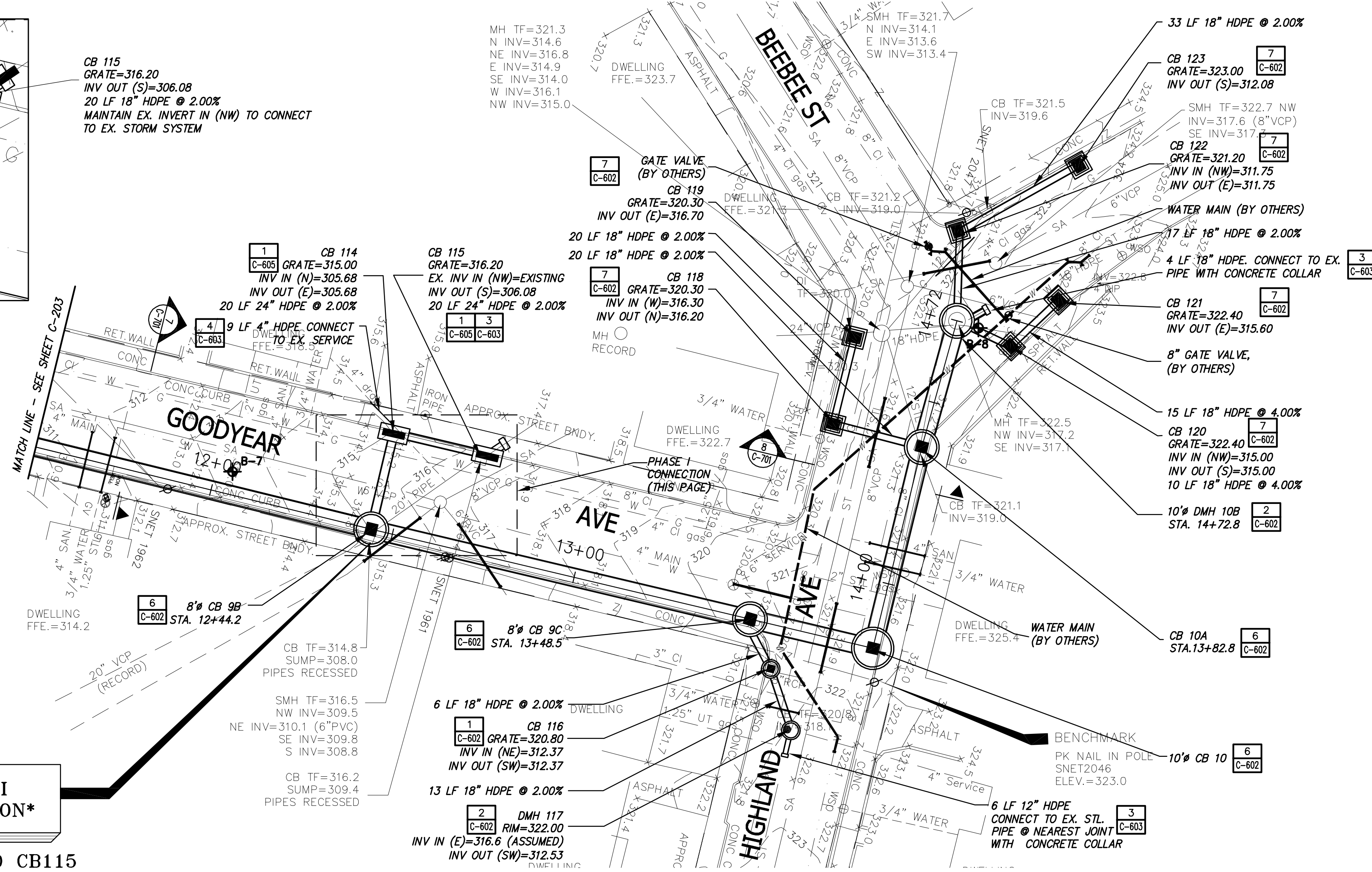
STORM SEWER IMPROVEMENTS
 NETTLETON AVENUE
 DRAINAGE PLAN (3 OF 5)

Issue Date: 9/10 Project No.: 20466 Scale: AS NOTED

C-203



PHASE I CONNECTION
SCALE: 1"=10'



No.	Submital / Revision	Appd.	By	Date

BOROUGH OF NAUGATUCK
 229 CHURCH STREET
 NAUGATUCK, CT 06770

UNPUBLISHED ALTERATION OR ADDITION TO THIS DOCUMENT IS A VIOLATION OF APPLICABLE STATE AND/OR LOCAL LAWS

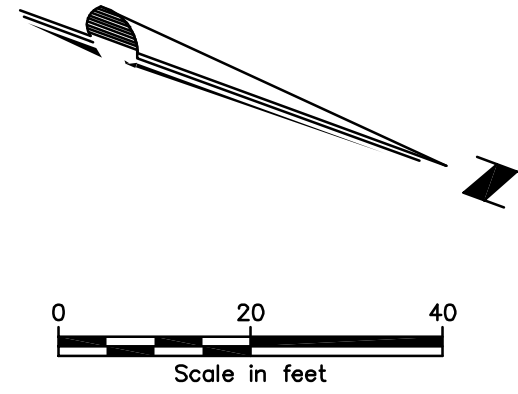
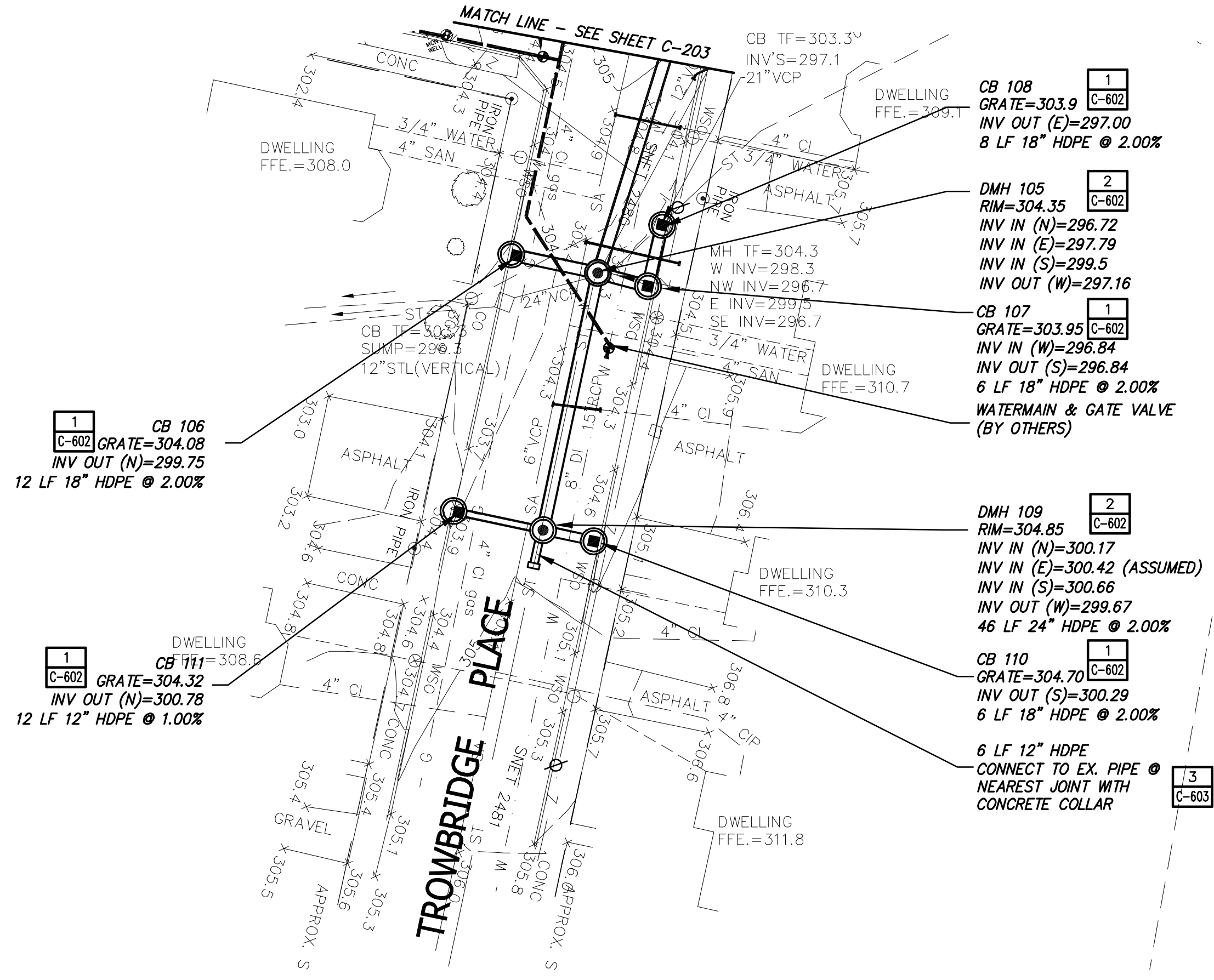
Drawing Copyright © 2010
CHA
 2158 Silas Deane Highway, Suite 212, Rocky Hill, CT 06067-2536
 Main: (860) 267-6557 · www.chainc.com

Checked: []
 Designer: MWT
 Drawn: MWT

STORM SEWER IMPROVEMENTS
 NETTLETON AVENUE
 DRAINAGE PLAN (4 OF 5)

Issue Date: 9/10
 Project No.: 20466
 Scale: AS NOTED

C-204



STORM SEWER IMPROVEMENTS
 NETTLETON AVENUE
 DRAINAGE PLAN (5 OF 5)

Drawing Copyright © 2010
CHIA
 2158 Silas Deane Highway, Suite 212 - Rocky Hill, CT 06067-2536
 Main: (860) 267-4557 - www.chiaonline.com

Designed: MWT | Drawn: MWT | Checked:

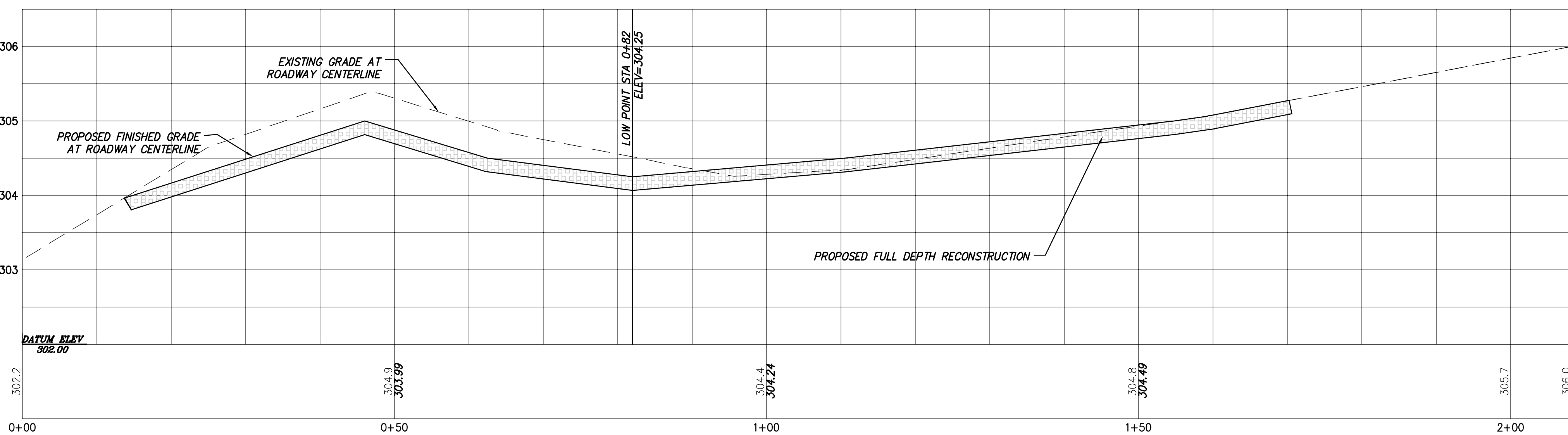
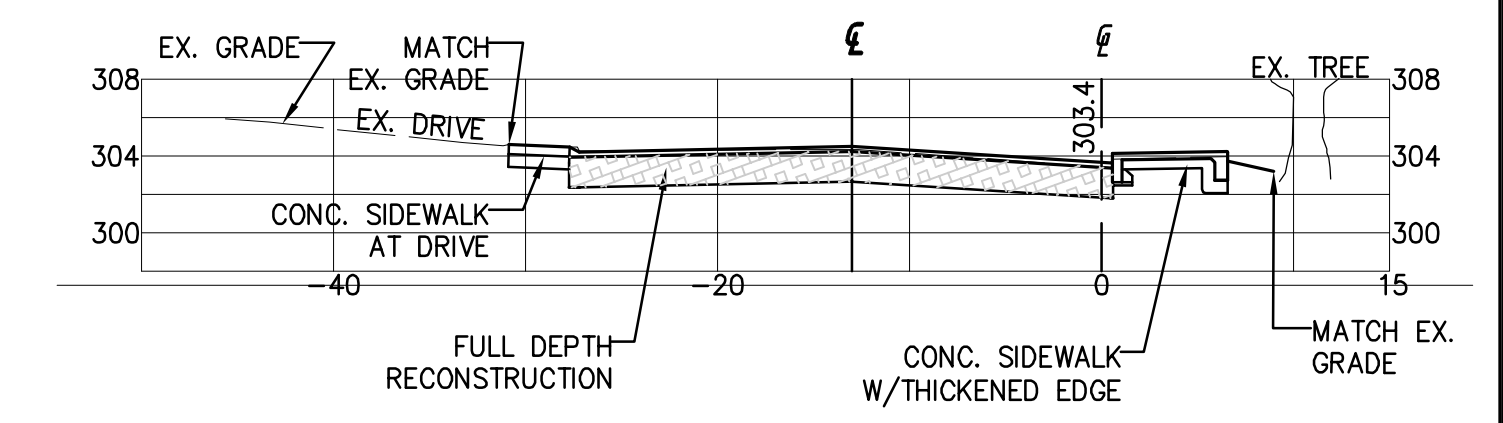
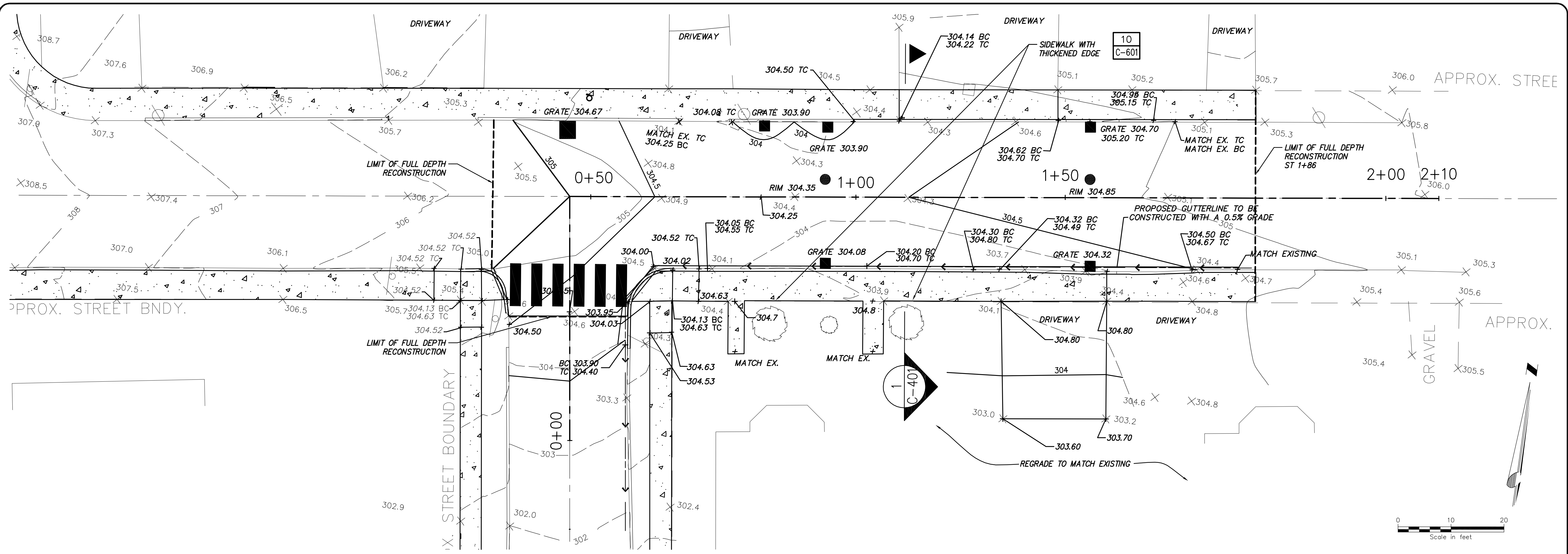
BOROUGH OF NAUGATUCK
 229 CHURCH STREET
 NAUGATUCK, CT 06770

No.	Submittal / Revision	By	Date

C-205

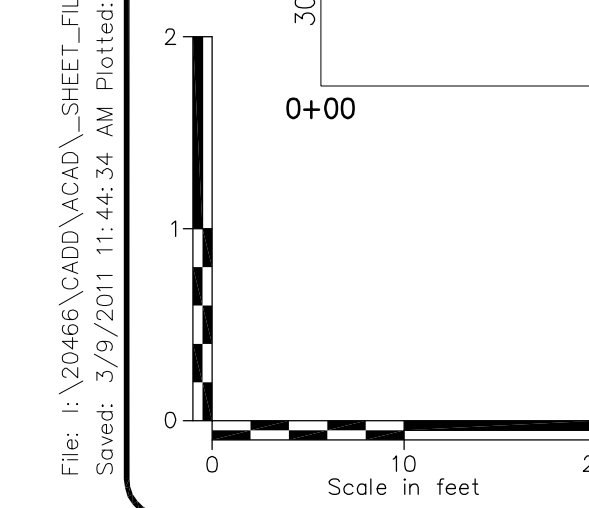
Issue Date: 9/10 | Project No.: 20466 | Scale: AS NOTED

UNAUTHORIZED REPRODUCTION OR ALTERATION OF THIS DOCUMENT IS A VIOLATION OF APPLICABLE STATE AND/OR LOCAL LAWS



1
C-401
STA. 1+10 - TROWBRIDGE PLACE
FULL DEPTH RECONSTRUCTION
SCALE: HORIZONTAL=1"=20', VERTICAL=10"

File: I:\20466\CADD\CADD_SHEET_FILES\NETTLE AVE DESIGN\C-401 INTERSECTION GRADING PLAN.DWG
 Saved: 3/19/2011 11:44:34 AM Plotted: 3/18/2011 8:41:03 AM User: Taylor, Matthew

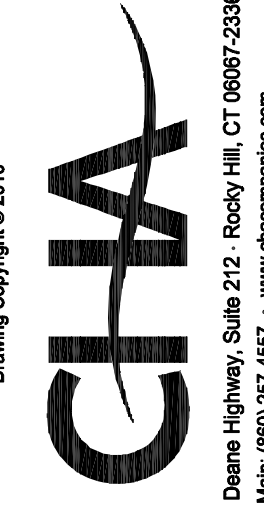


TROWBRIDGE PLACE - CENTER LINE PROFILE

No.	Submittal / Revision	By	Date

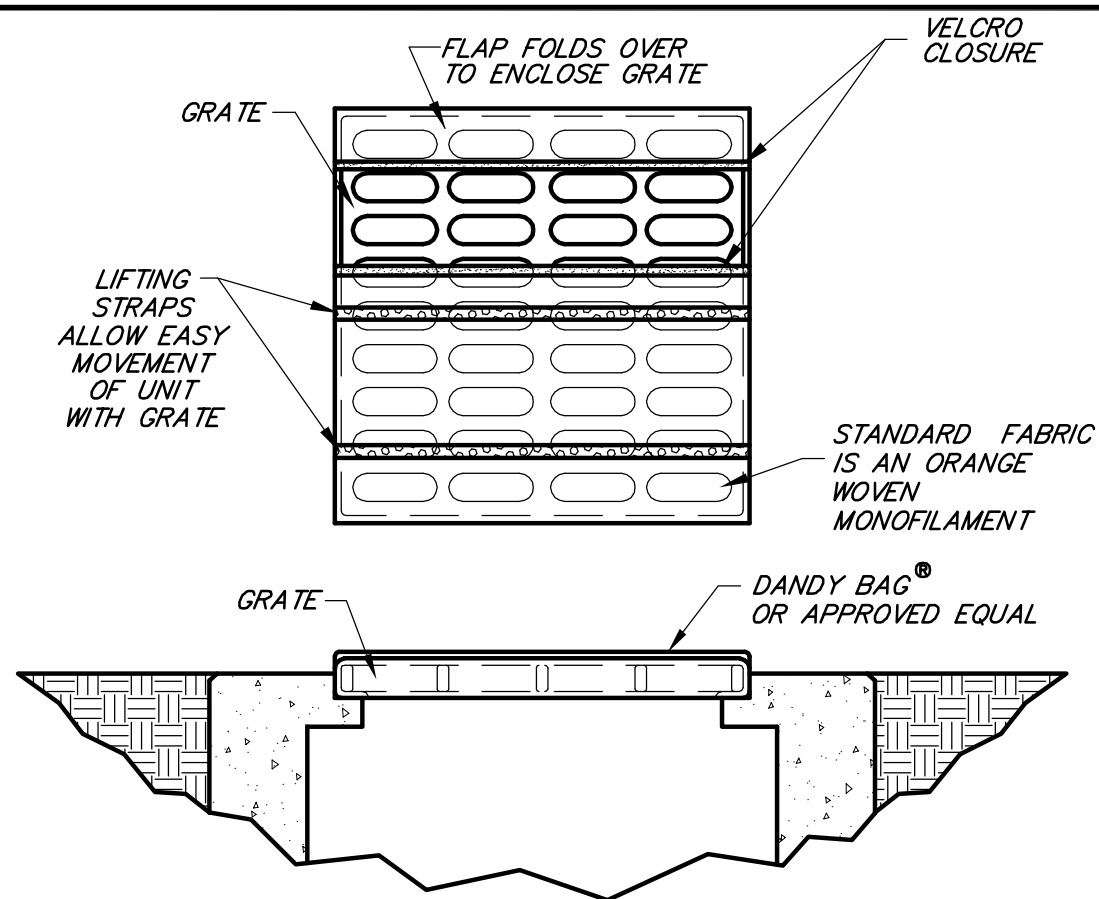
BOROUGH OF NAUGATUCK
 229 CHURCH STREET
 NAUGATUCK, CT 06770

UNLESS OTHERWISE SPECIFIED, ALL DIMENSIONS AND LOCATIONS SHALL BE TO THE CENTERLINE OF THE ROADWAY UNLESS OTHERWISE NOTED.
 APPLICABLE STATE AND/OR LOCAL LAWS

Drawing Copyright © 2010

 2139 Sias Deane Highway, Suite 212, Rocky Hill, CT 06067-2936
 Main: (860) 257-4557 • www.ciacompanies.com
 Designed: MVT Drawn: MVT Checked:

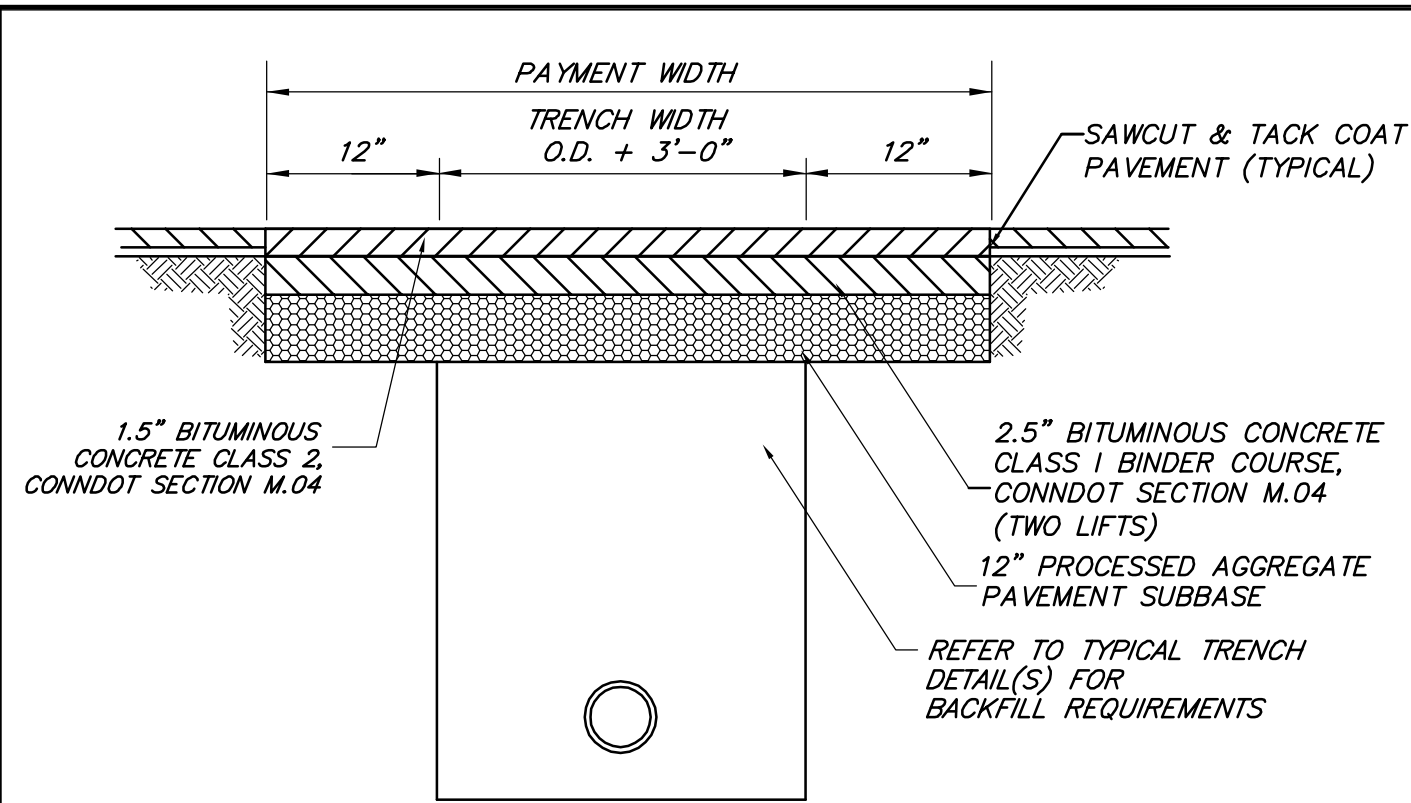
STORM SEWER IMPROVEMENTS
 NETTLETON AVENUE
 TROWBRIDGE FULL DEPTH
 RECONSTRUCTION PLAN
 Issue Date: 9/10 Project No.: 20466 Scale: AS NOTED

C-401

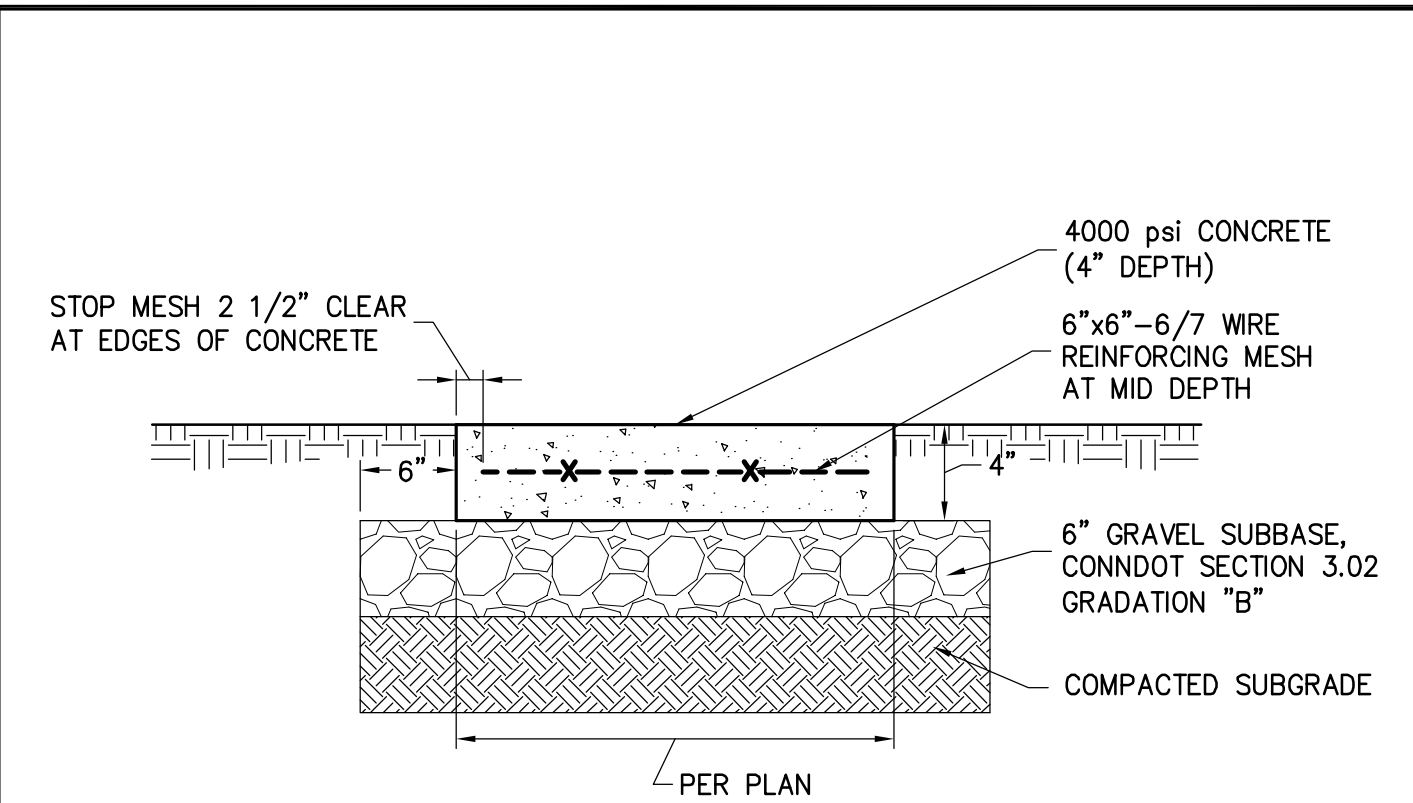


- NOTES:**
1. INSTALLATION: INSTALL PER MANUFACTURERS INSTRUCTIONS
 2. MAINTENANCE: REMOVE ALL ACCUMULATED SEDIMENT AND DEBRIS FROM SURFACE AND VICINITY OF UNIT AFTER EACH STORM EVENT. REMOVE SEDIMENT THAT HAS ACCUMULATED WITHIN THE CONTAINMENT AREA AS NEEDED.

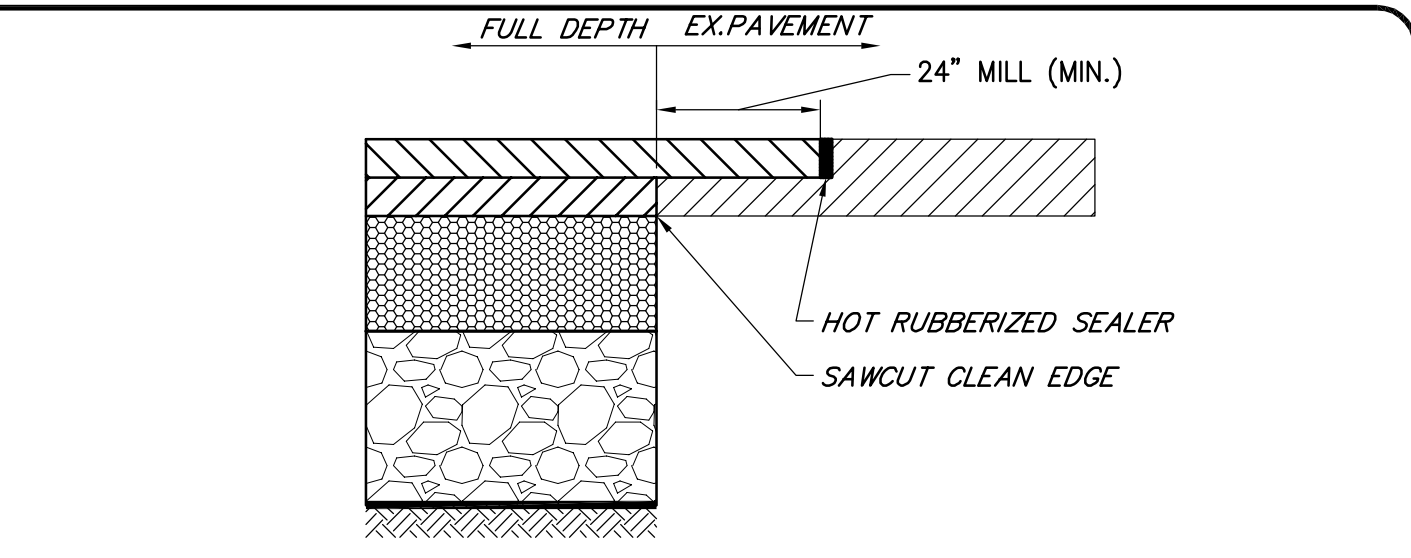
1 INLET PROTECTION
SECTION, PLAN SCALE: N.T.S.



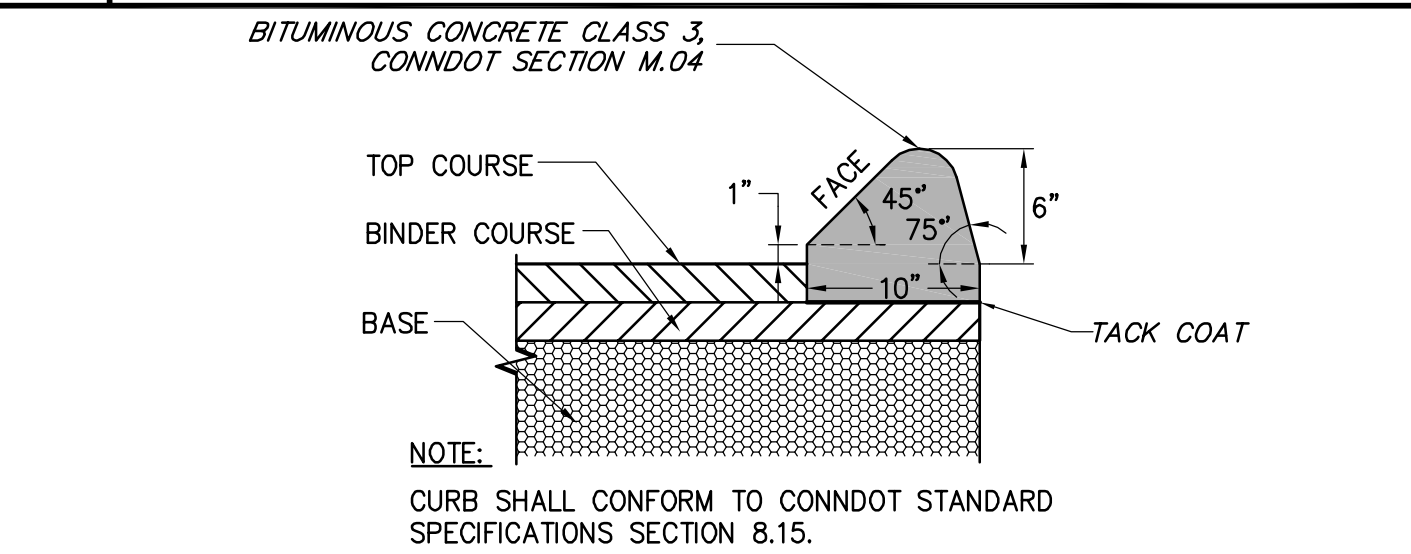
4 TRENCH PAVEMENT REPLACEMENT
SECTION SCALE: N.T.S.



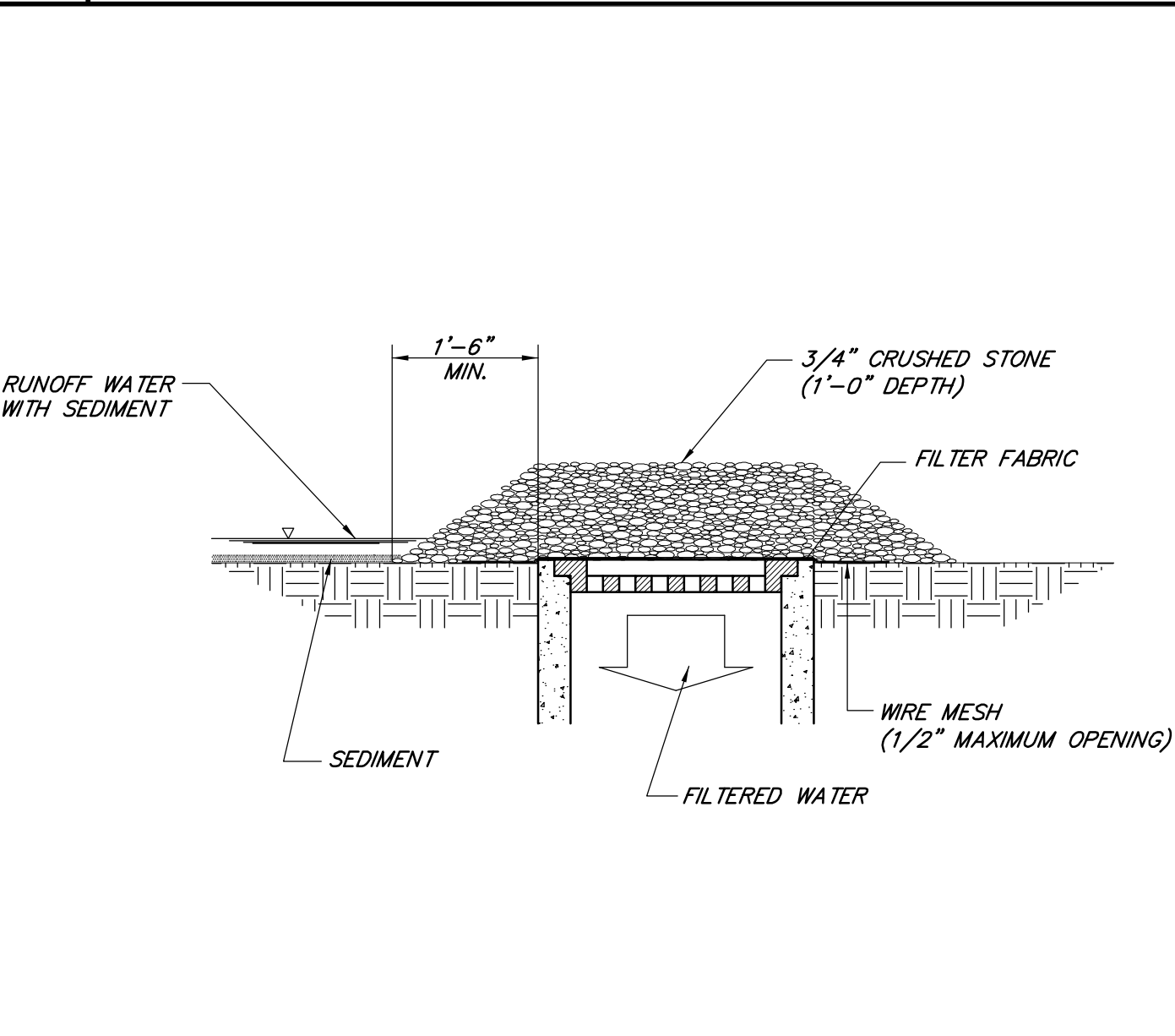
8 CONCRETE SIDEWALK DETAIL
SECTION SCALE: N.T.S.



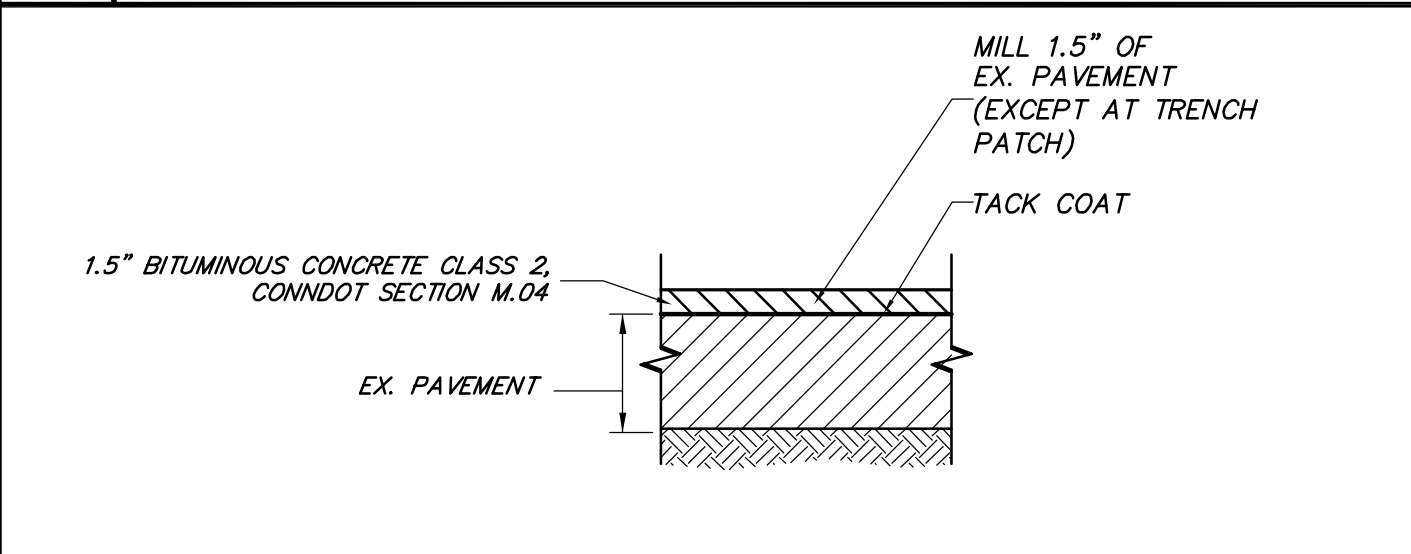
11 FULL DEPTH RECONSTRUCTION TRANSITION
SECTION



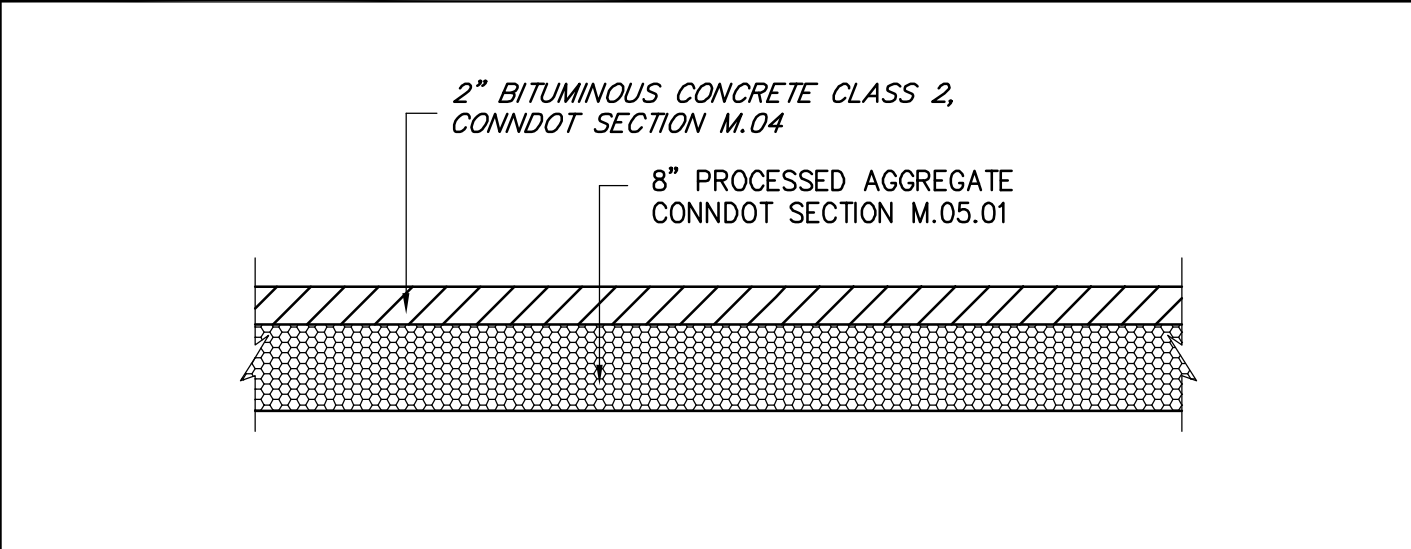
12 BIT. CONC. CURB
SECTION SCALE: N.T.S.



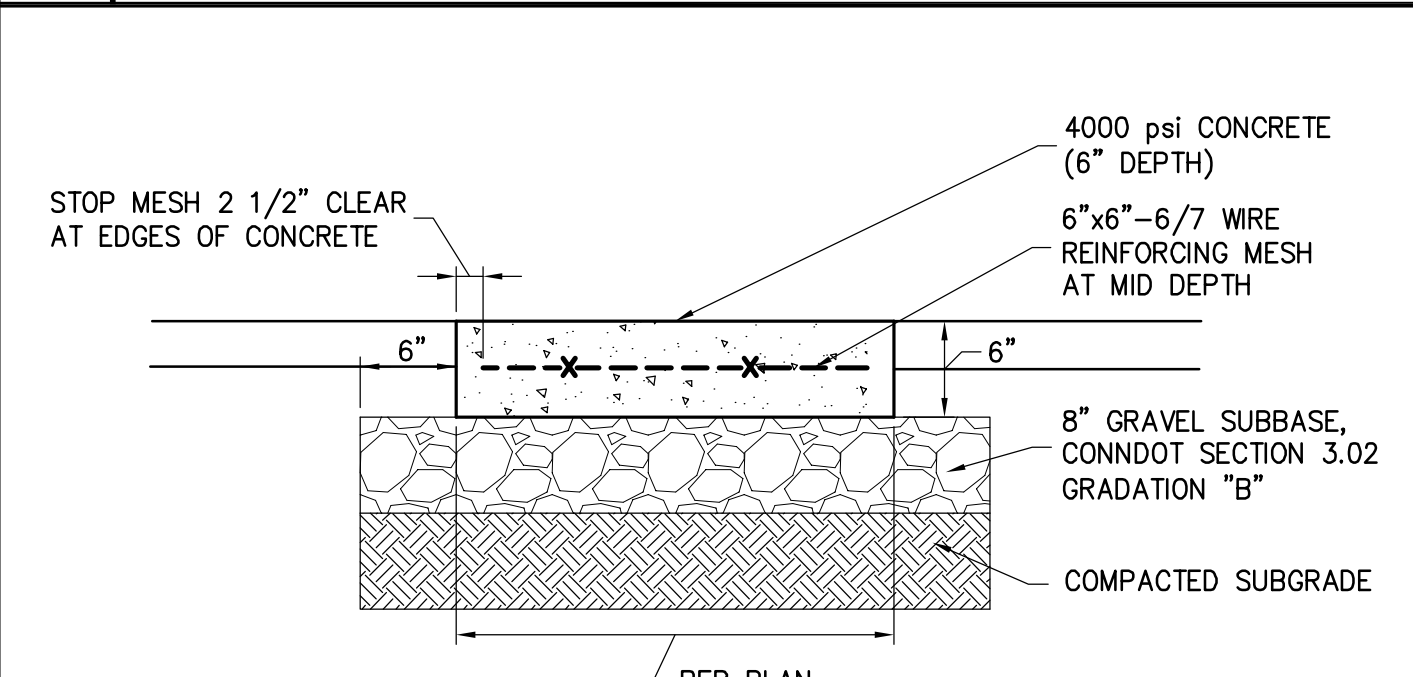
2 STONE INLET PROTECTION DETAIL
SECTION SCALE: N.T.S.



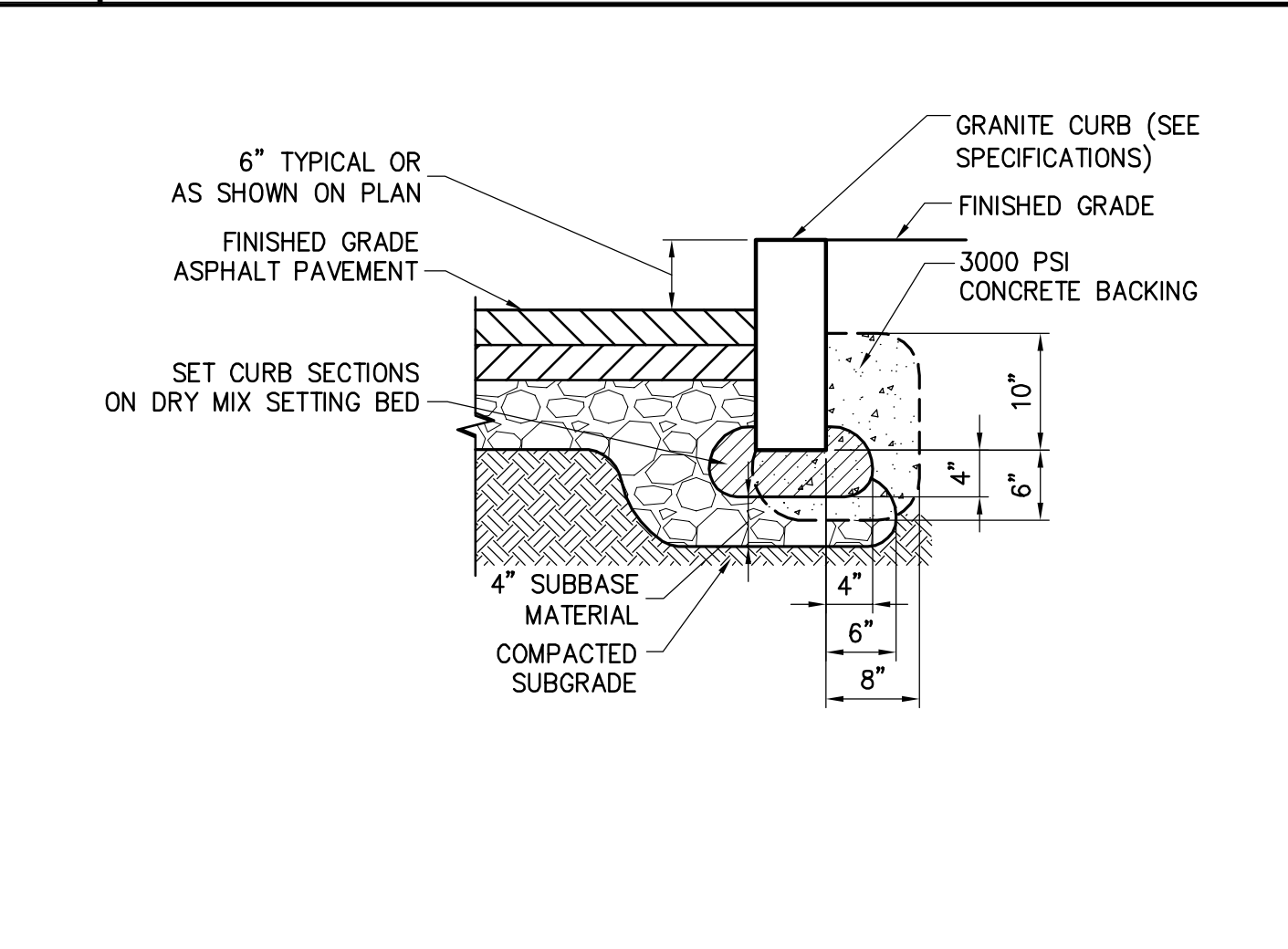
5 MILL & OVERLAY
SECTION SCALE: N.T.S.



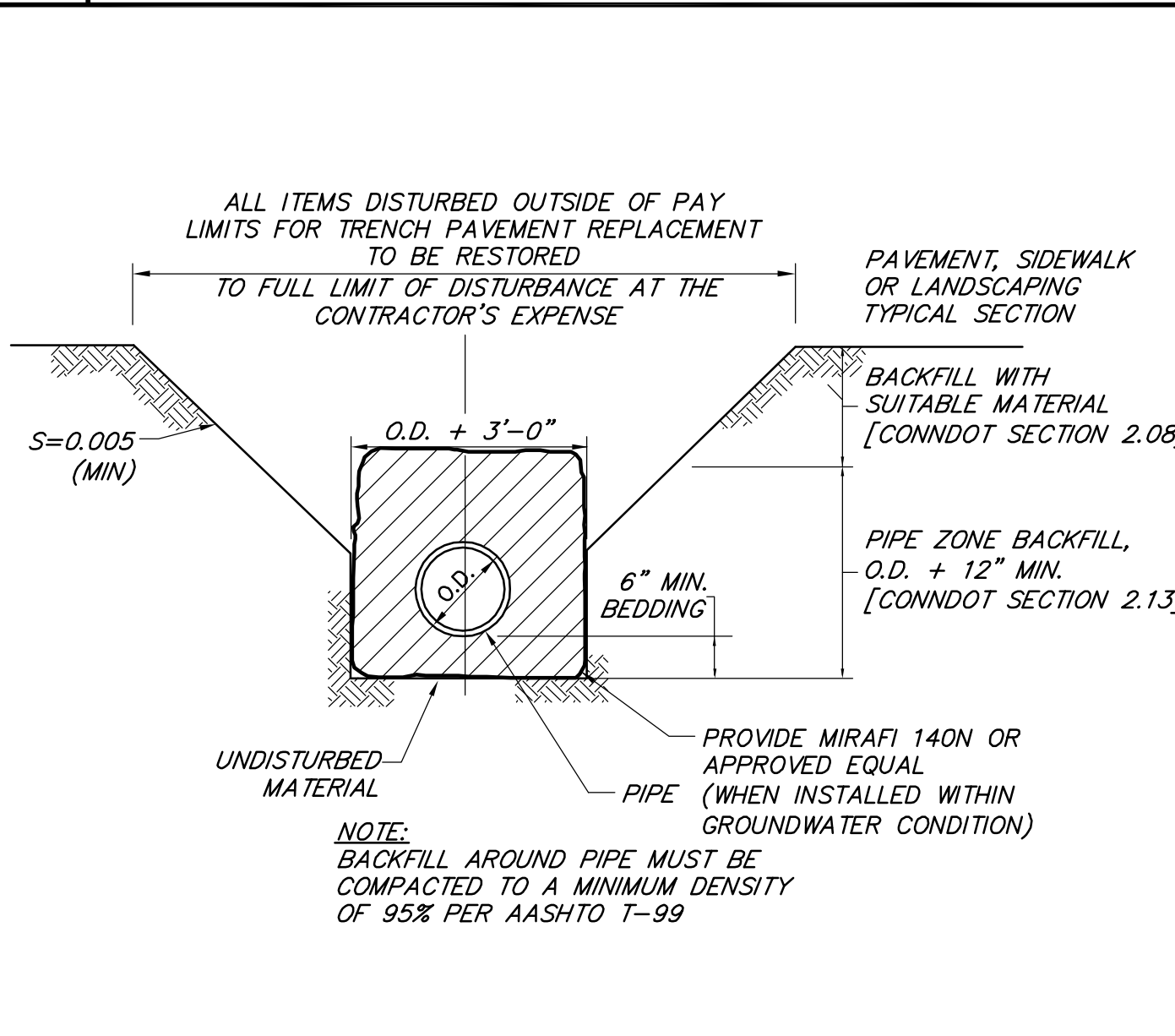
6 DRIVEWAY RECONSTRUCTION
SECTION SCALE: N.T.S.



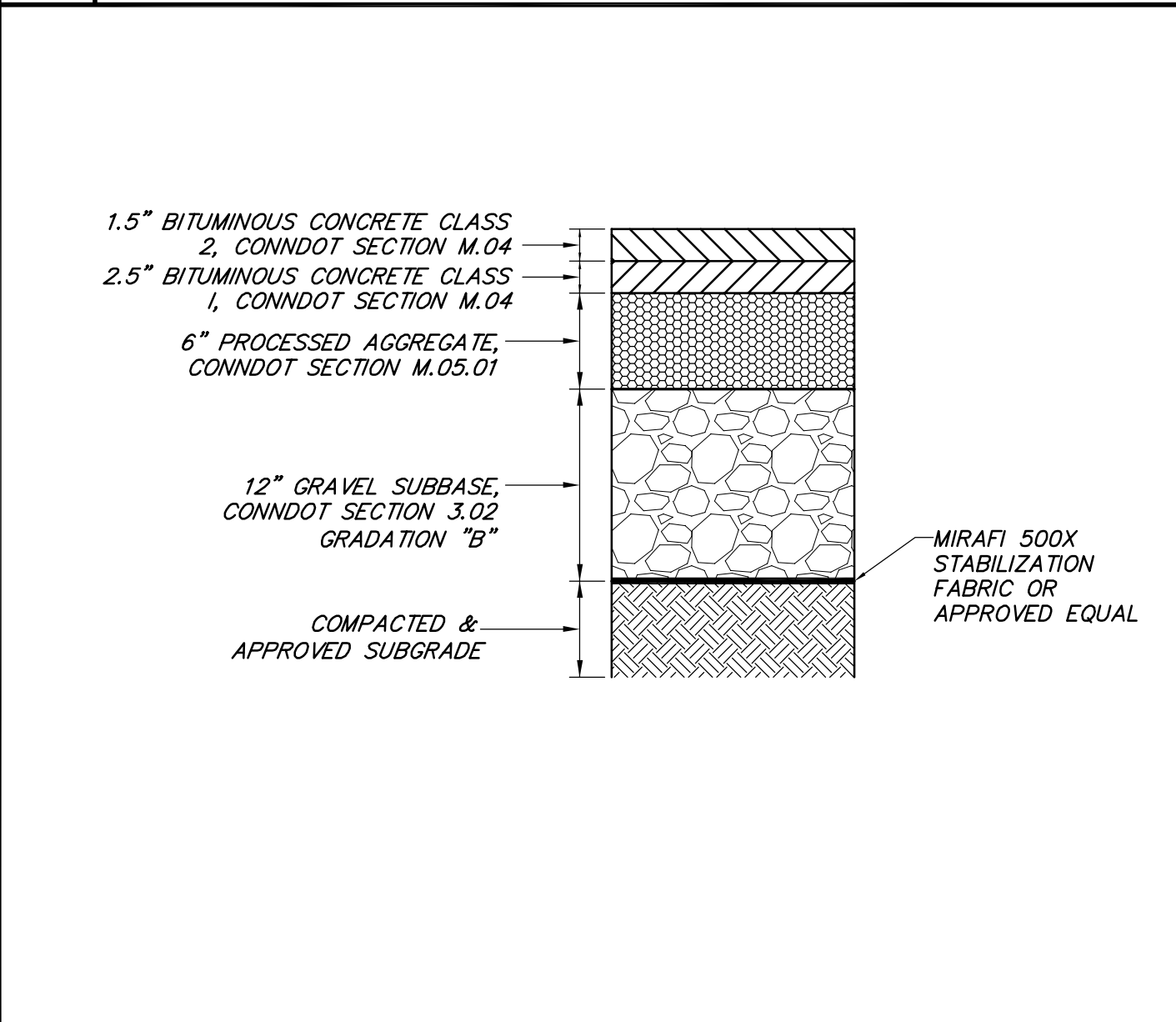
9 CONCRETE SIDEWALK AT DRIVEWAY DETAIL
SECTION SCALE: N.T.S.



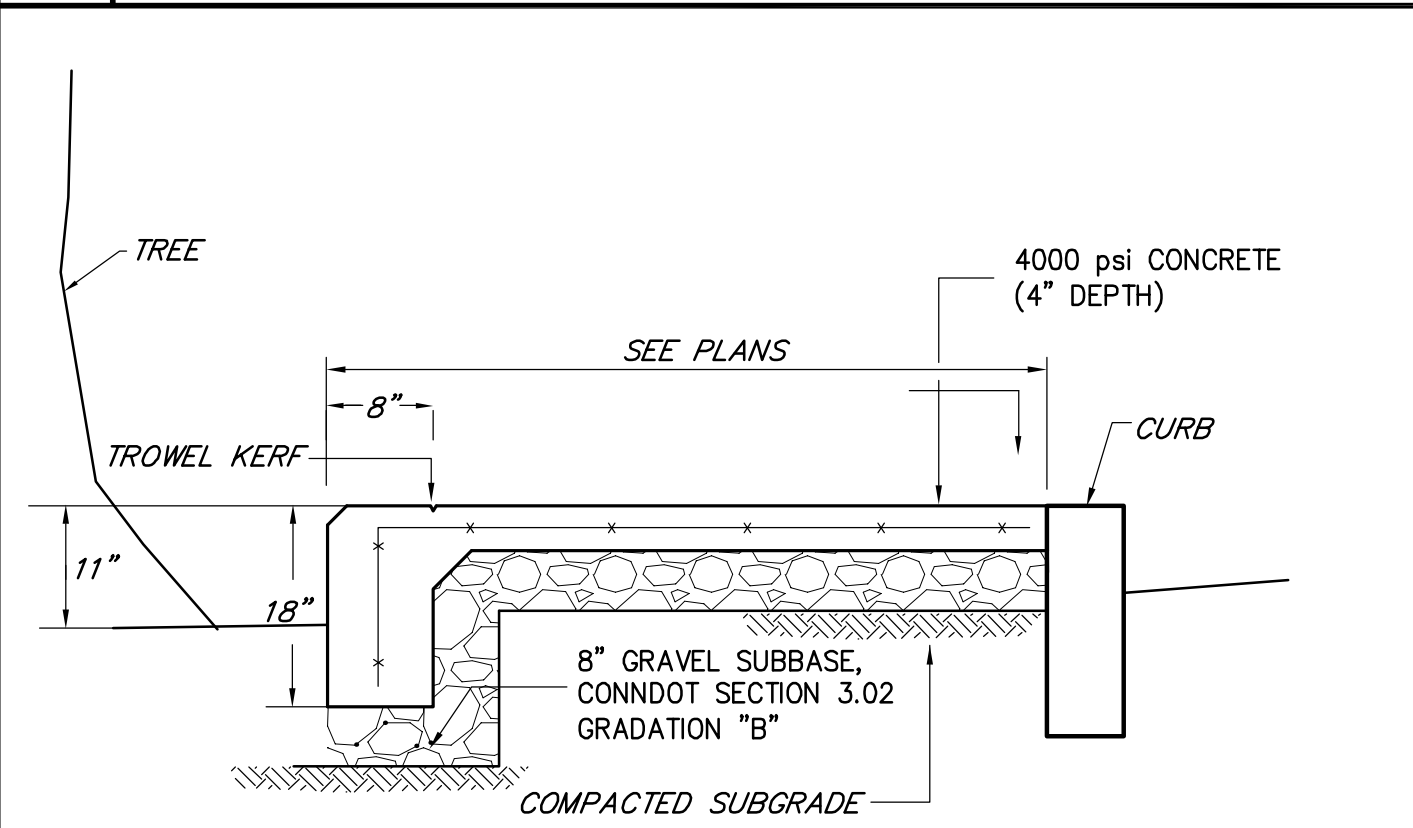
13 GRANITE CURB DETAIL
SECTION SCALE: N.T.S.



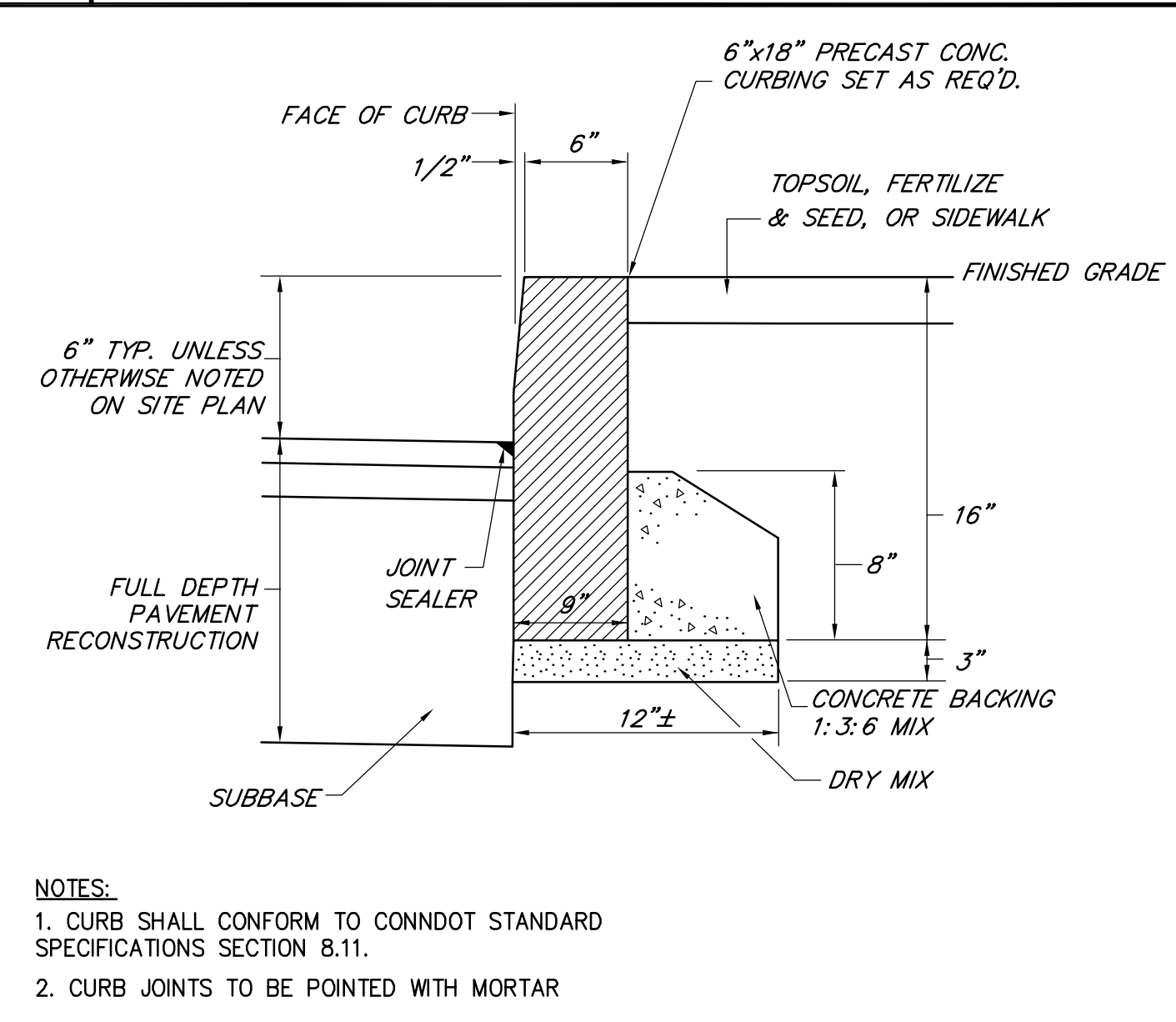
3 TYPICAL DRAINAGE TRENCH DETAIL
SECTION SCALE: N.T.S.



7 FULL DEPTH PAVEMENT RECONSTRUCTION
SECTION SCALE: N.T.S.



10 CONCRETE SIDEWALK W/THICKENED EDGE
SECTION SCALE: N.T.S.



14 CONCRETE CURB DETAIL
SECTION SCALE: N.T.S.

Date	
By	
App'd	
Submitted / Revision	
No.	

BOROUGH OF NAUGATUCK
229 CHURCH STREET
NAUGATUCK, CT 06770

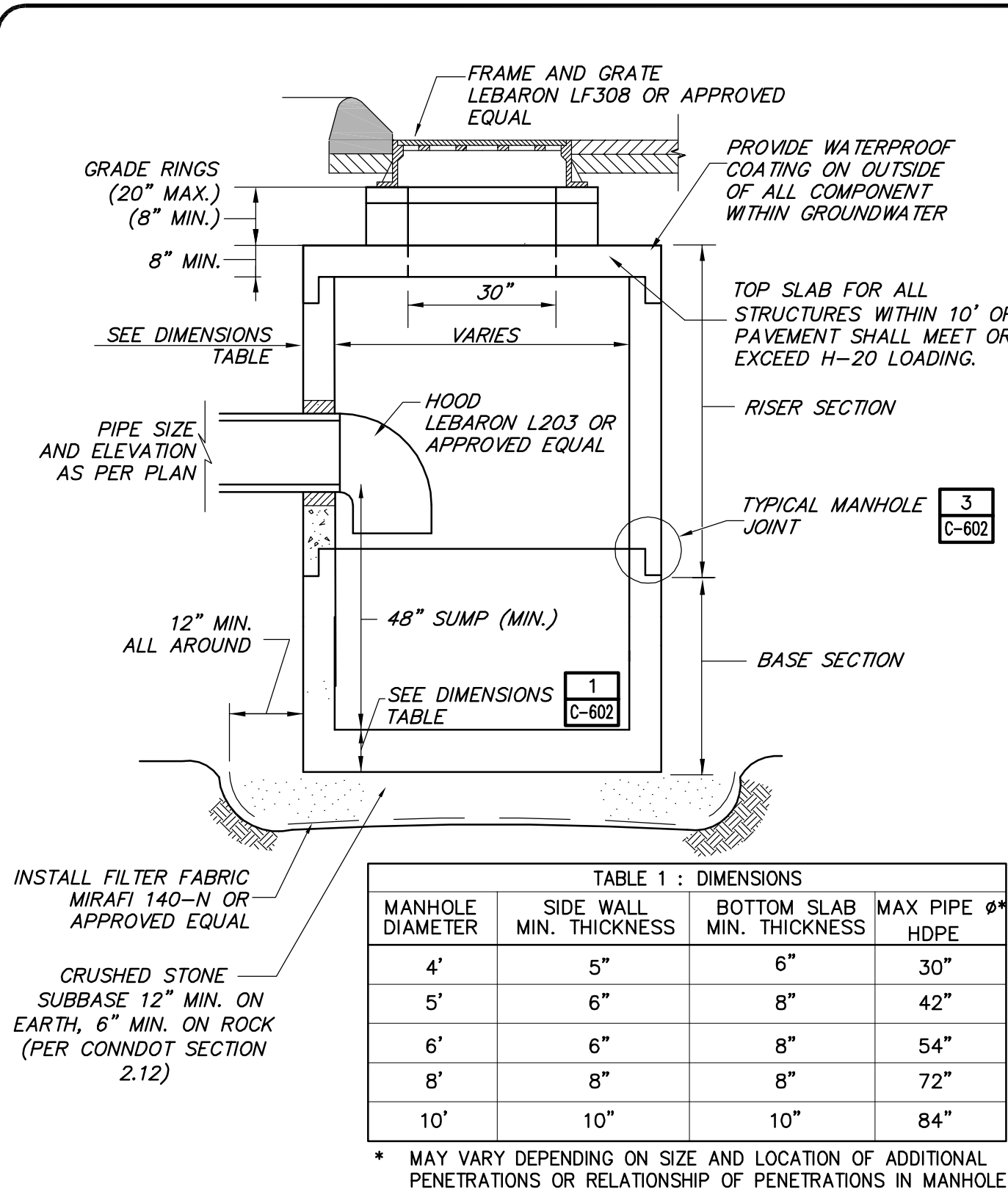
UNLESS OTHERWISE SPECIFIED, ALL DIMENSIONS AND MATERIALS SHALL BE IN ACCORDANCE WITH THE LATEST EDITIONS OF THE CONSTRUCTION DOCUMENTS, AND/OR APPLICABLE STATE AND/OR LOCAL LAWS.

Drawing Copyright © 2010
CHIA
2139 Sas Deene Highway, Suite 212 - Rocky Hill, CT 06067-2936
Main: (860) 257-4557 · www.chiacompanies.com
Designed: MWT Drawn: MWT Checked: MWT

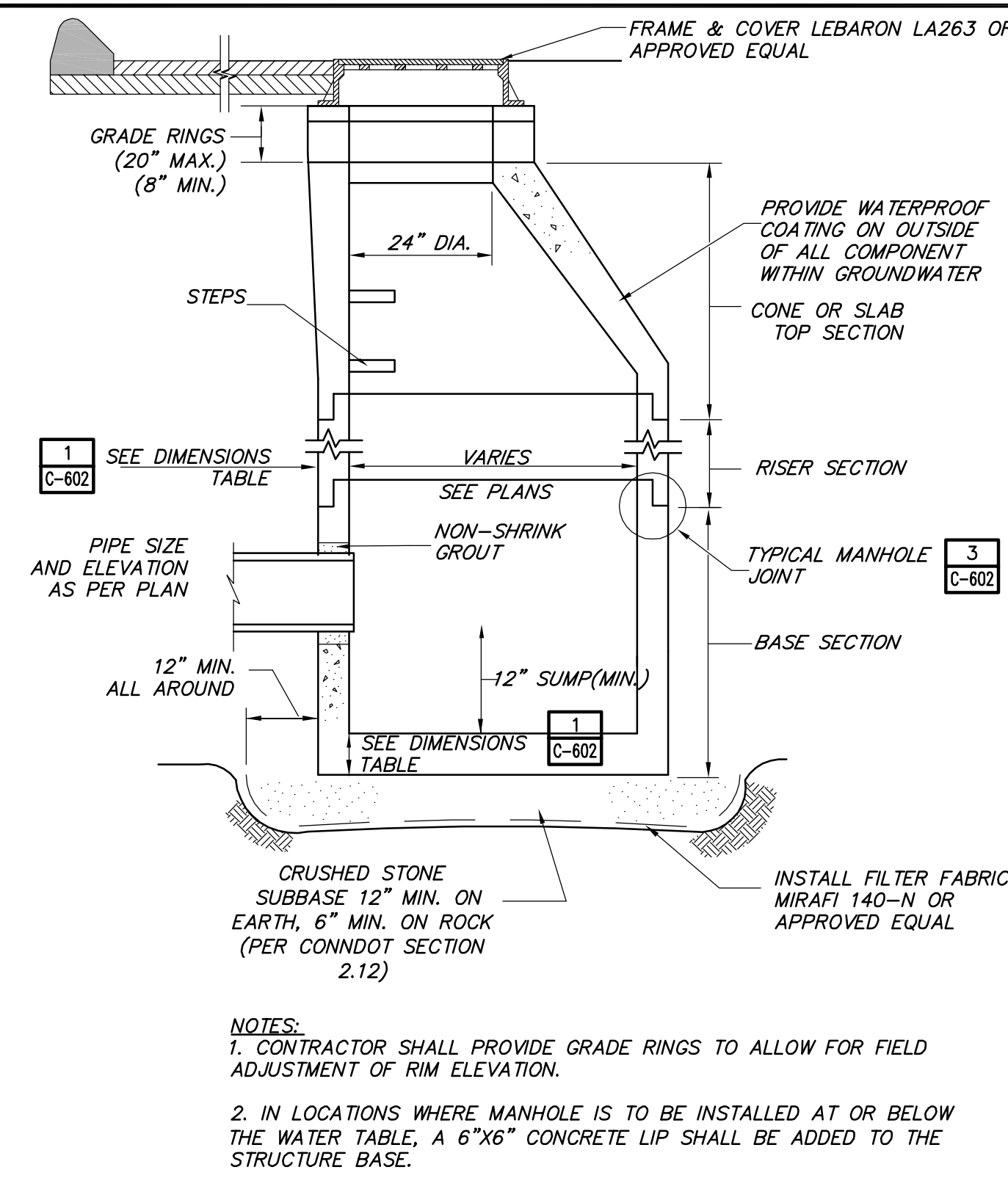
STORM SEWER IMPROVEMENTS
NETTLETON AVENUE
CONSTRUCTION DETAILS
Issue Date: 9/10 Project No.: 20466 Scale: AS NOTED

C-601

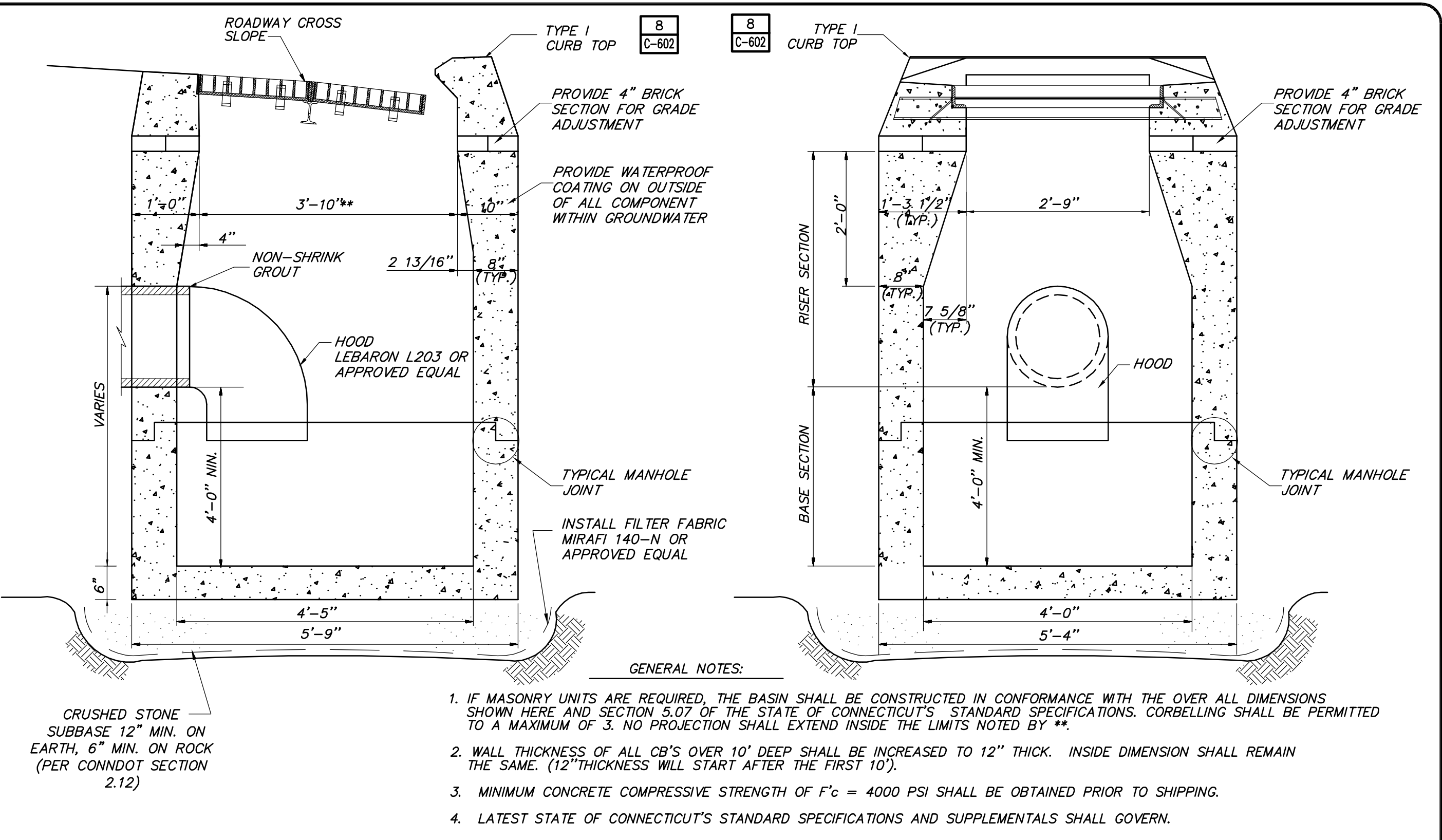
File: I:\20466\CADD\ACAD\ SHEET_FILES\NETTLETON AVE DESIGN\C-601 CONSTRUCTION DETAILS.DWG
Saved: 3/17/2011 6:12:18 PM Plotter: 3/18/2011 8:41:16 AM User: Taylor, Matthew



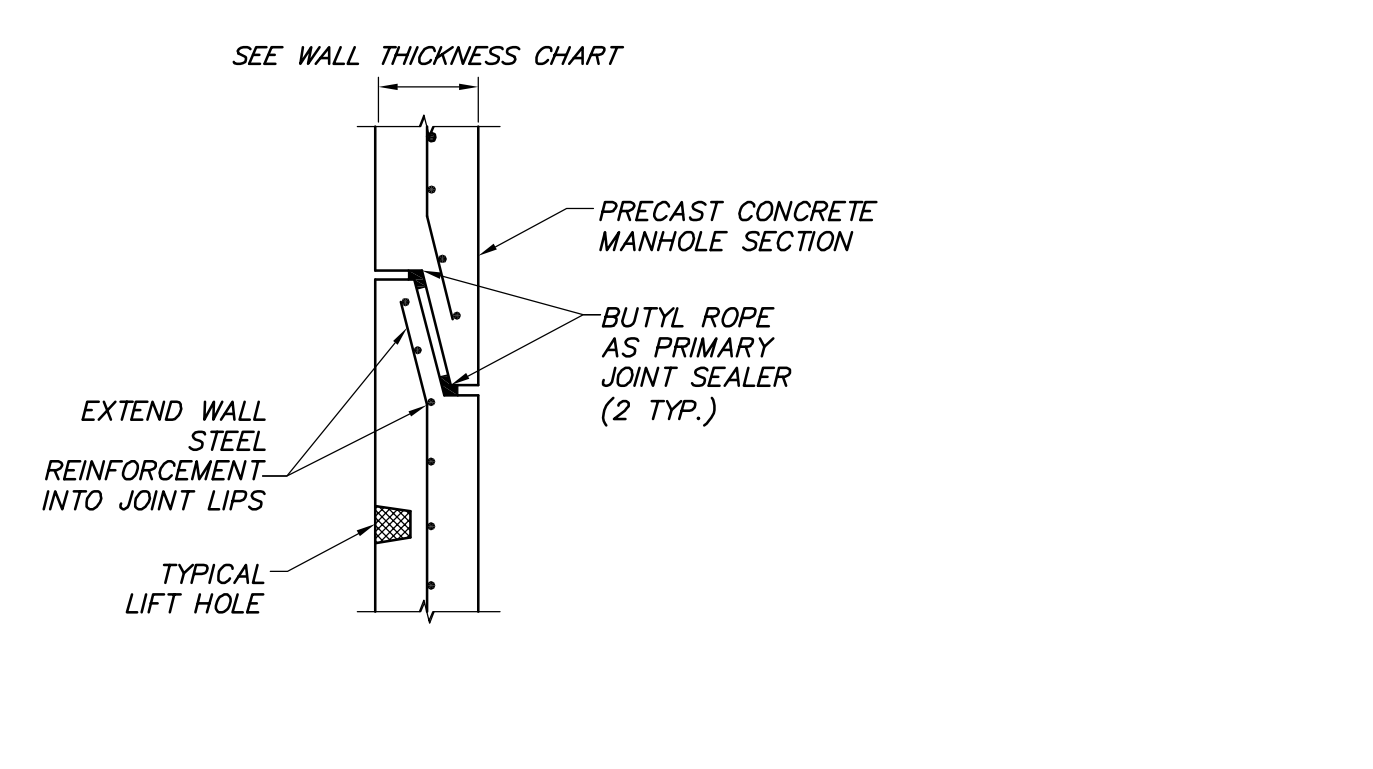
1 CATCH BASIN - SINGLE GRATE SECTION SCALE: N.T.S.



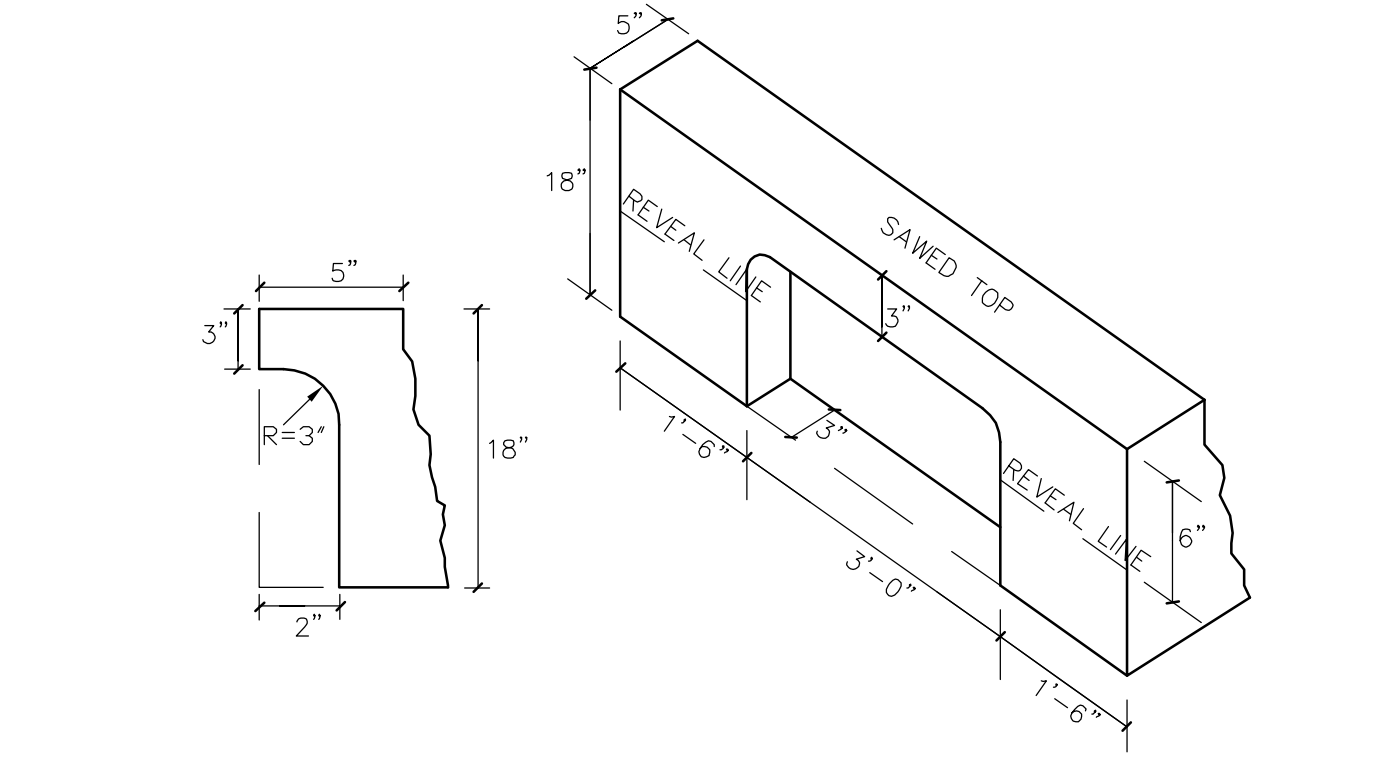
2 DRAINAGE MANHOLE SECTION SCALE: N.T.S.



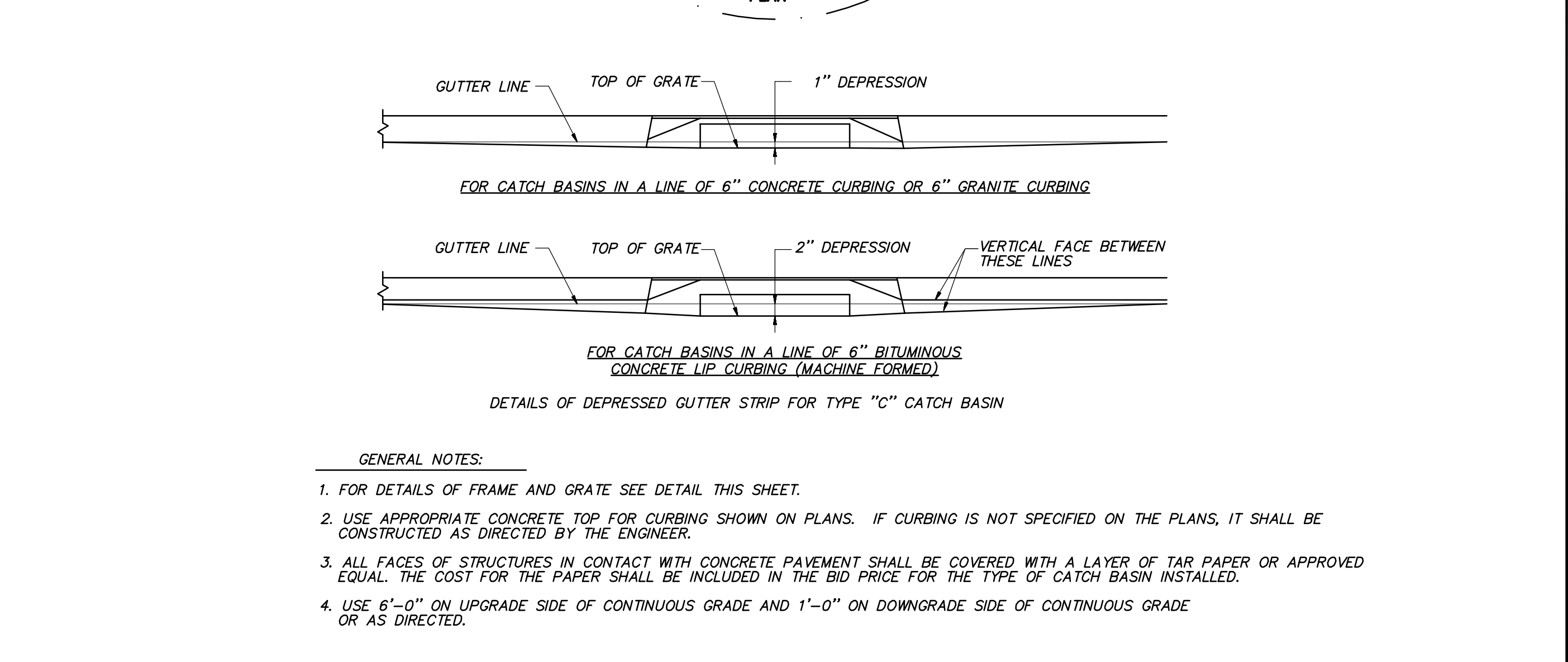
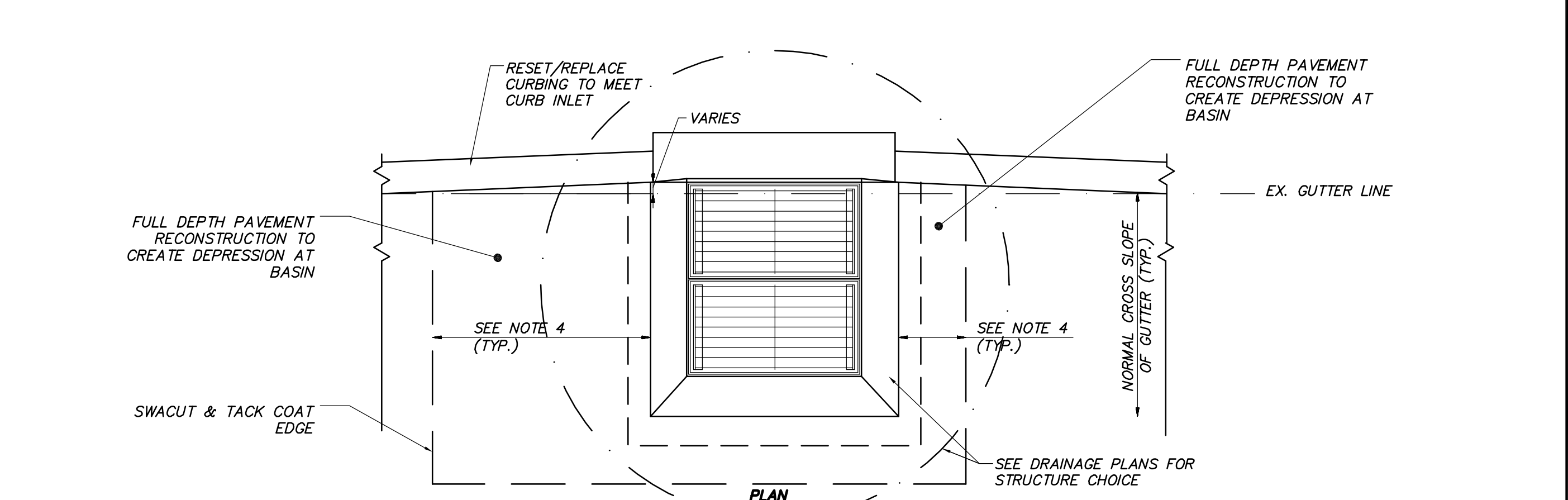
7 TYPE "C" CATCH BASIN, TYPE 1 OFFLINE SECTION SCALE: N.T.S.



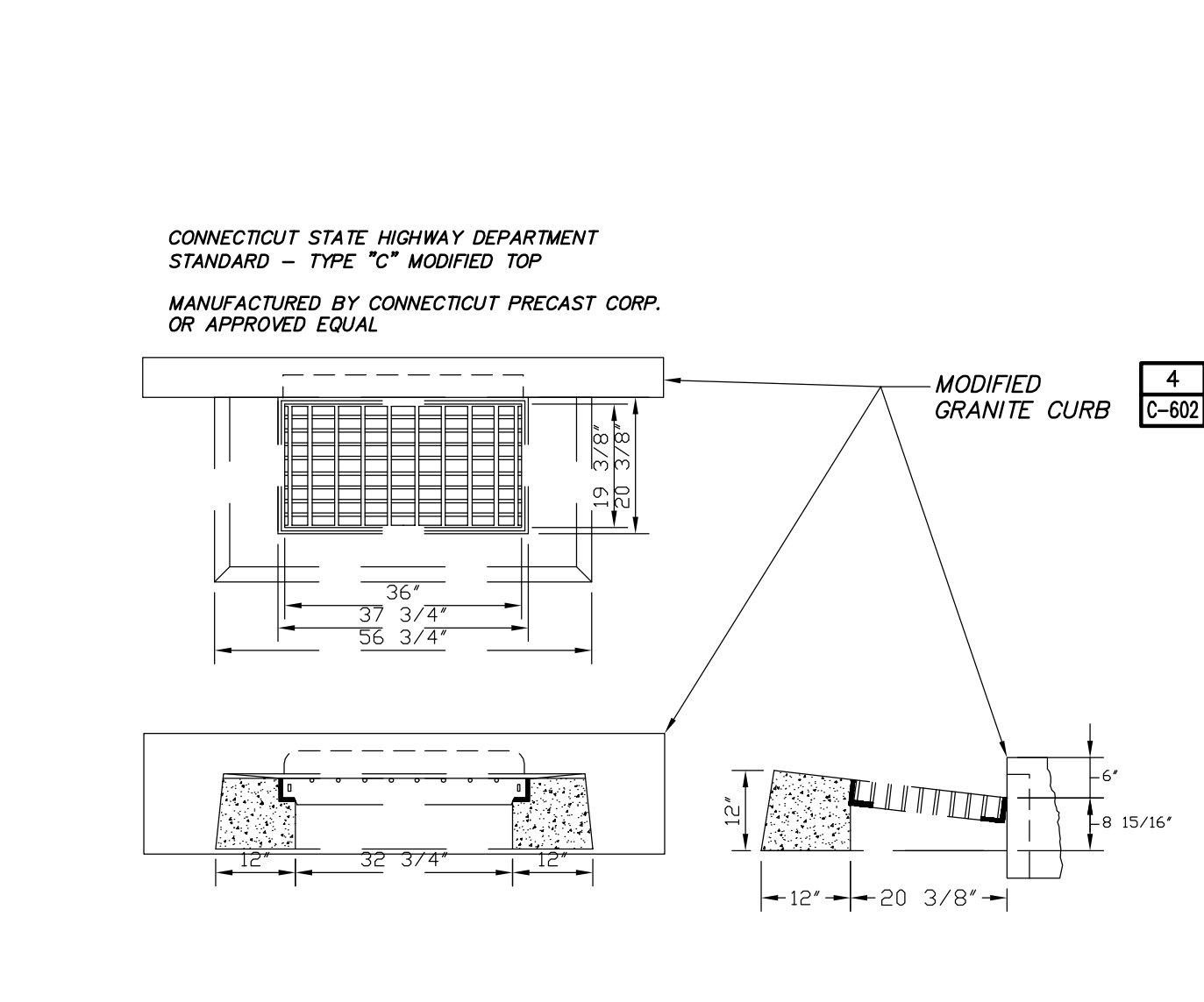
3 MANHOLE JOINT DETAIL SECTION SCALE: N.T.S.



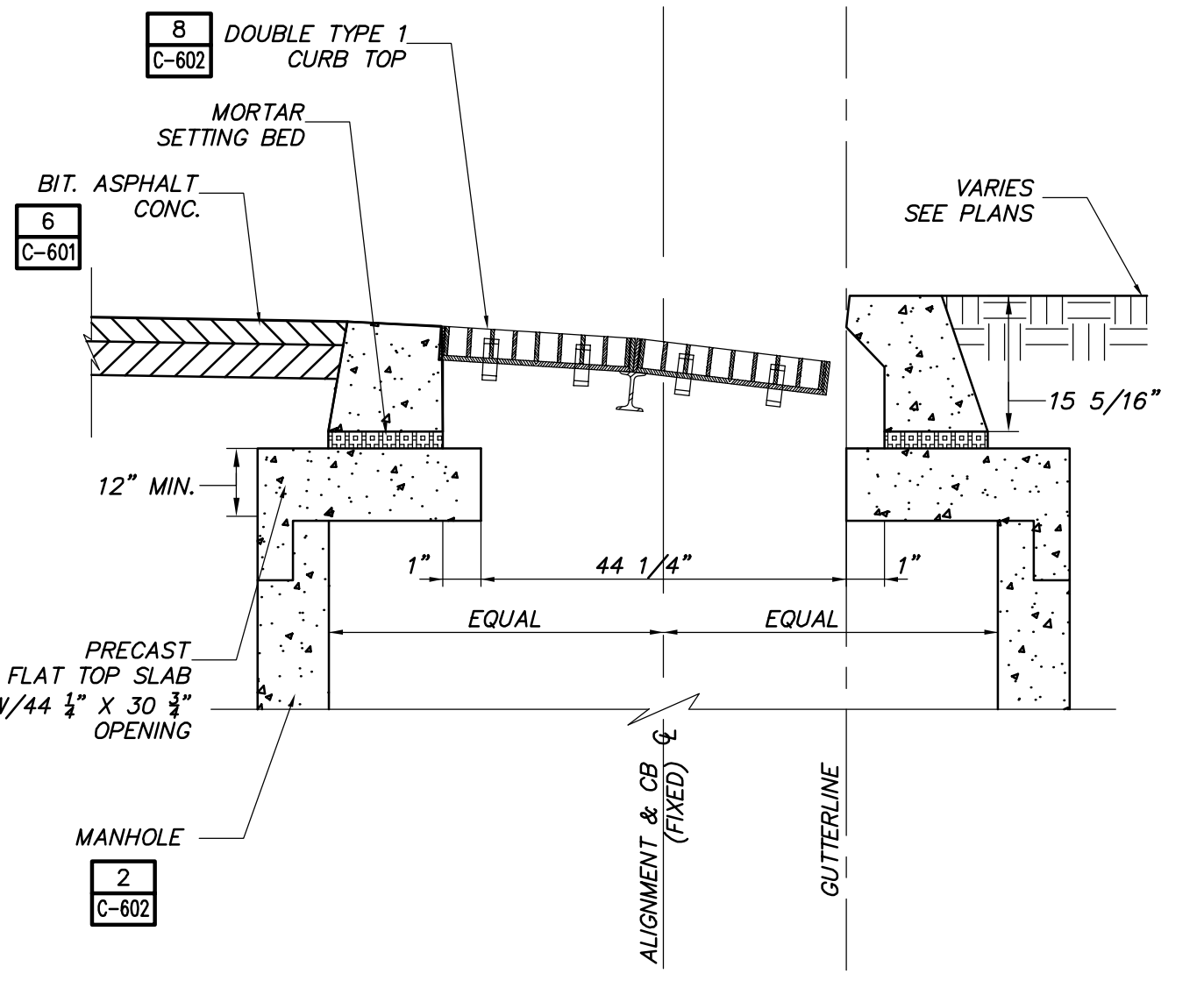
4 MODIFIED GRANITE CURB SECTION SCALE: N.T.S.



8 TYPE "C" CATCH BASIN DOUBLE GRATE - TYPE 1 CURB TOP PLAN SCALE: N.T.S.



5 TYPE "C" MODIFIED CB TOP SECTION SCALE: N.T.S.



6 TYPE "C" CATCH BASIN, IN-LINE SECTION SCALE: N.T.S.

File: I:\20466\CADD\CADD_SHEET_FILES\NETTLE AVE DESIGN\C-601 CONSTRUCTION DETAILS.DWG
Saved: 3/17/2011 6:12:18 PM Plotter: 3/18/2011 8:41:24 AM User: Taylor, Matthew

Date	
By	
App'd	
Submitted / Revision	
No.	

BOROUGH OF NAUGATUCK
229 CHURCH STREET
NAUGATUCK, CT 06770

Drawing Copyright © 2010

CHIA

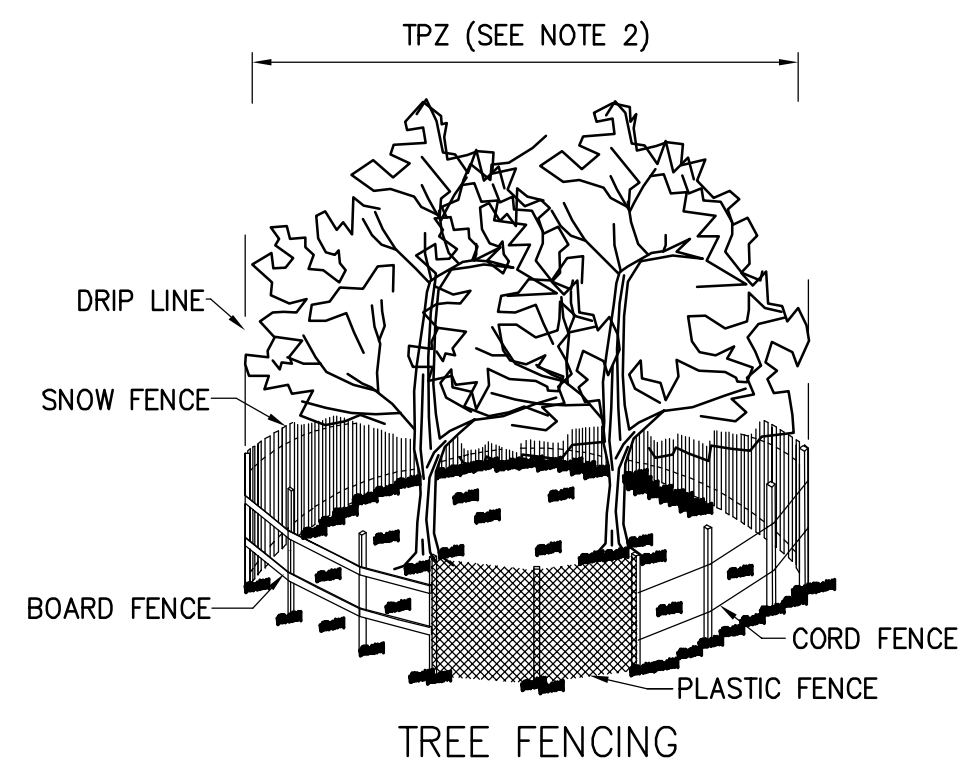
2139 Sias Deane Highway, Suite 212 - Rocky Hill, CT 06067-2936
Main: (860) 257-4557 · www.chiacompanies.com

DESIGNED BY: MWT
DRAWN BY: MWT
CHECKED BY: MWT

STORM SEWER IMPROVEMENTS
NETTLETON AVENUE
CONSTRUCTION DETAILS

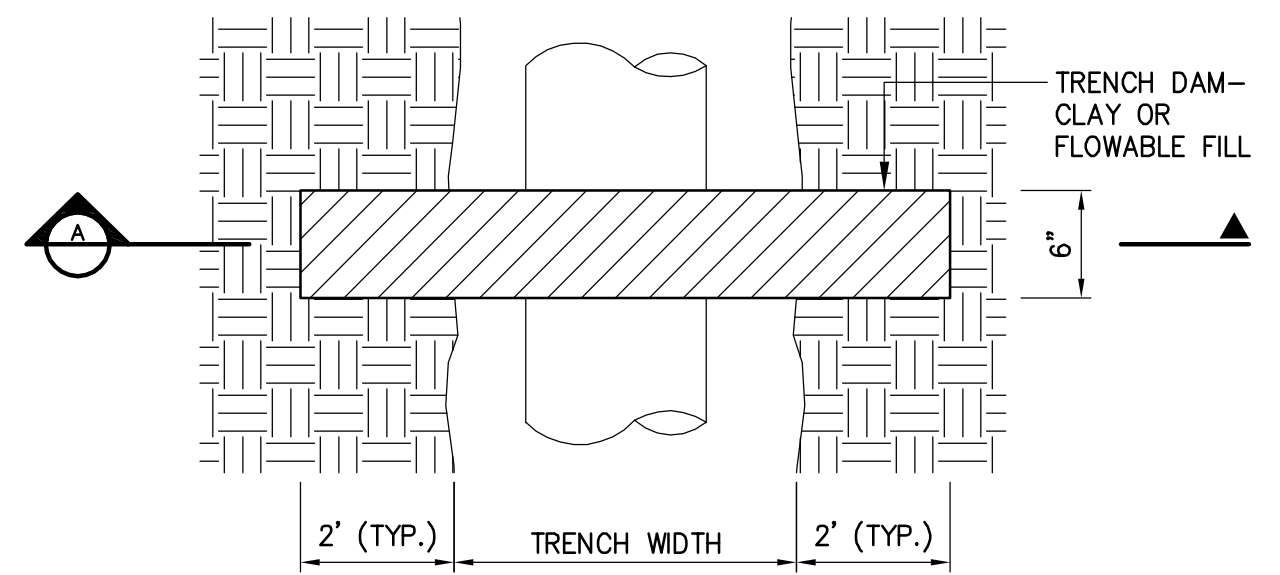
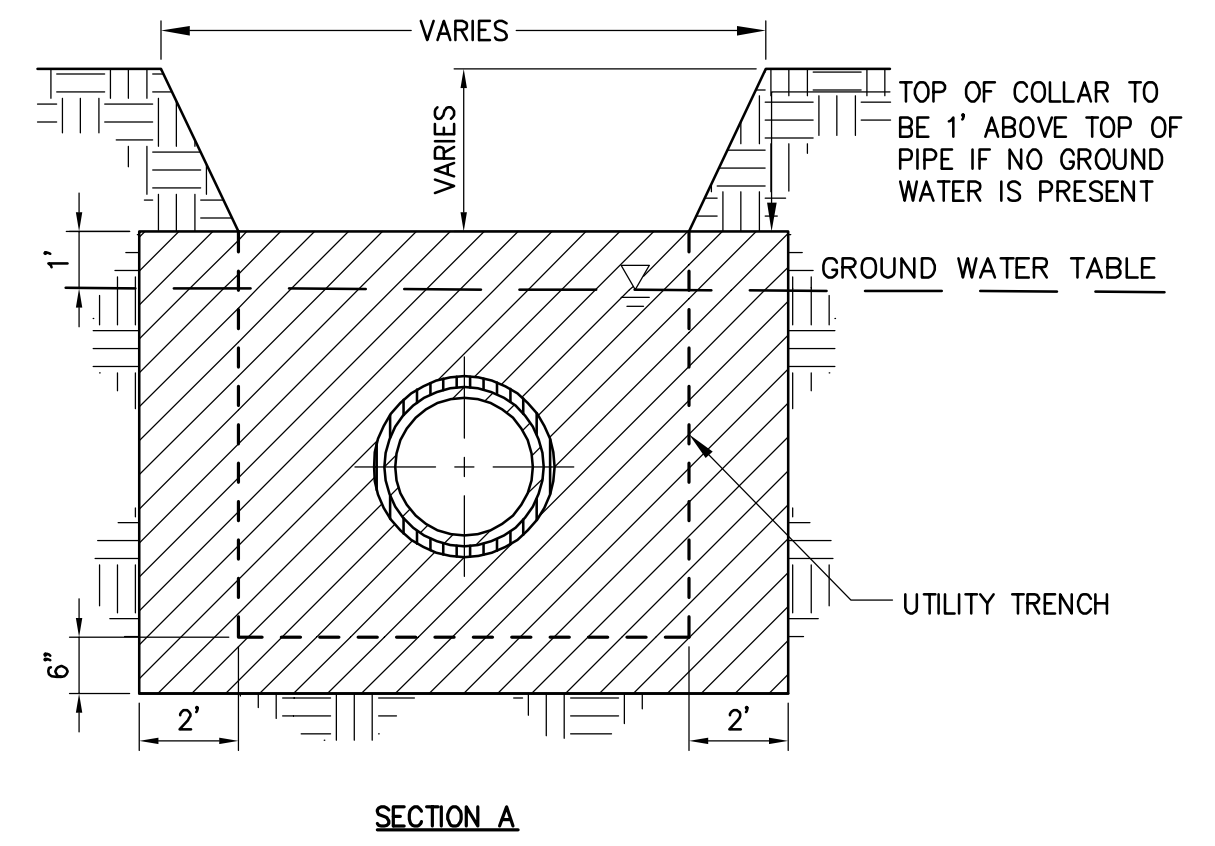
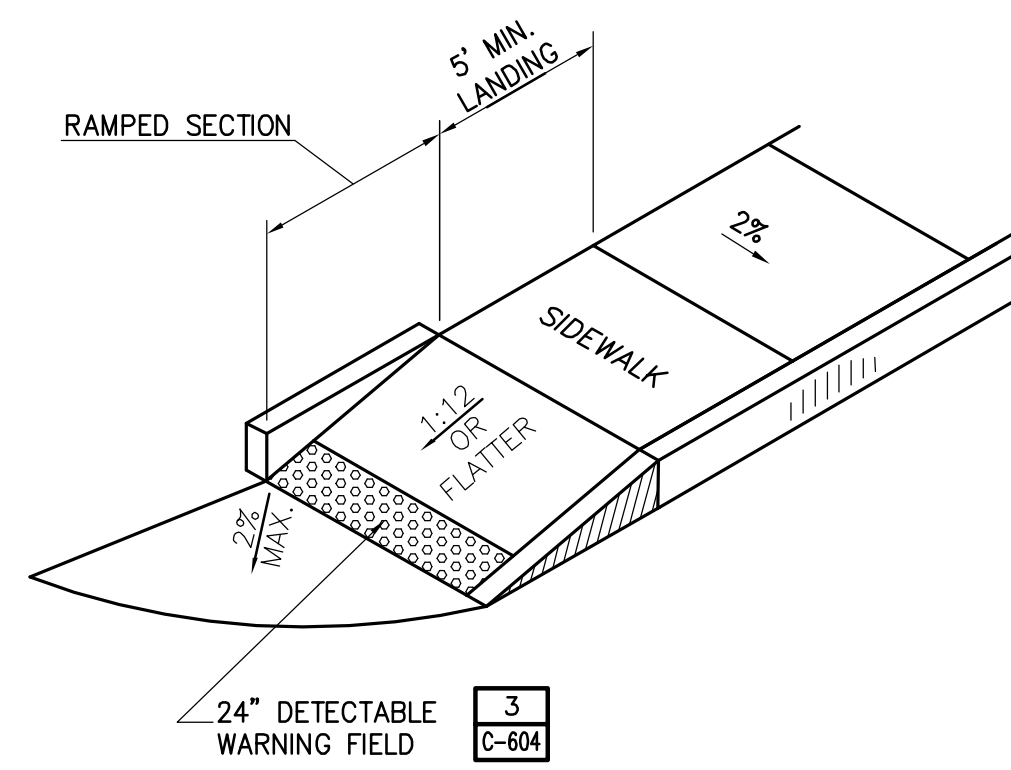
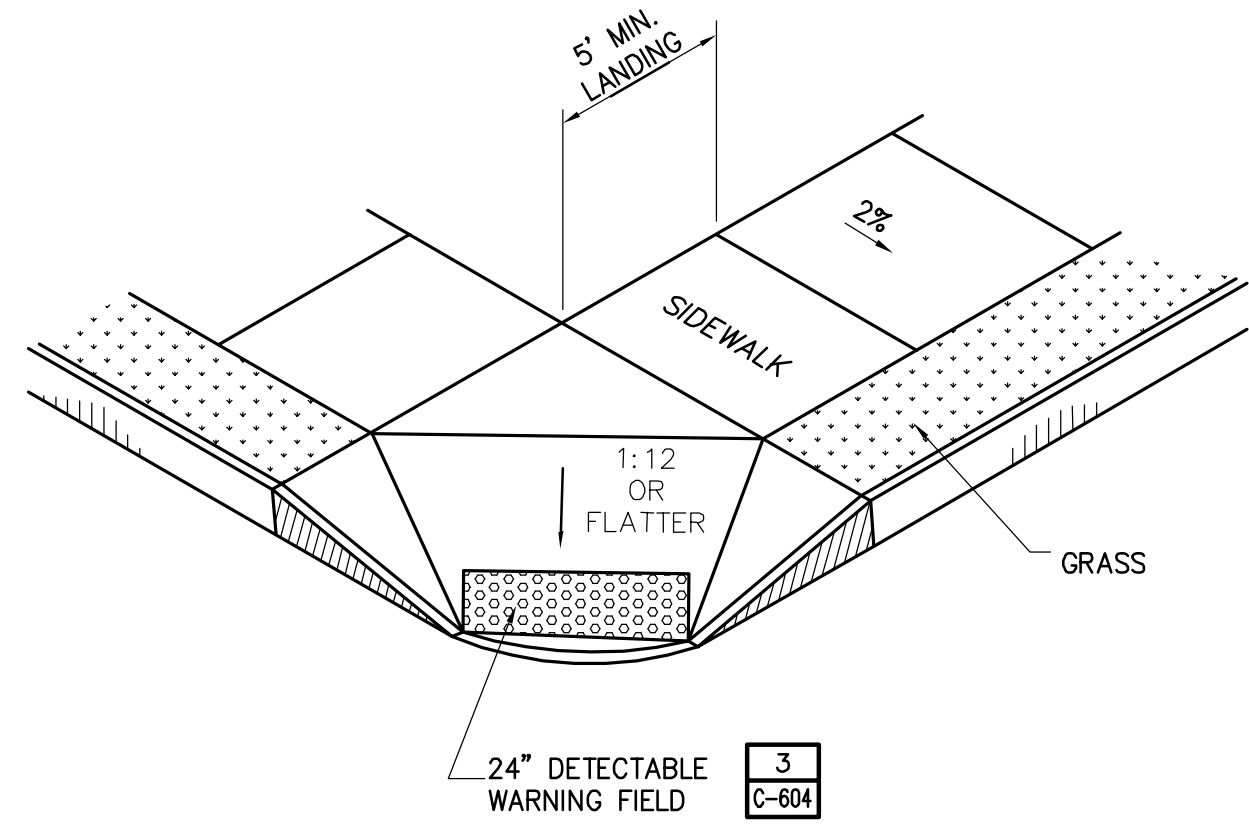
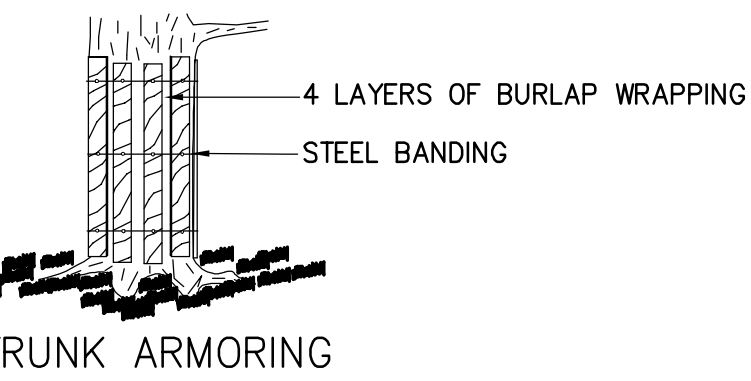
Issue Date: 9/10
Project No.: 20466
Scale: AS NOTED

C-602



NOTES:

1. TRUNK ARMORING SHALL ONLY BE USED FOR PROTECTING TREES IN A CONSTRUCTION AREA WHERE PAVED SURFACES MAKE IT IMPRACTICAL TO ESTABLISH TREE FENCING.
2. TPZ (TREE PROTECTION ZONE) REFER TO CONNECTICUT GUIDELINE FOR SOIL EROSION AND SEDIMENT CONTROL FIGURE TP-1.



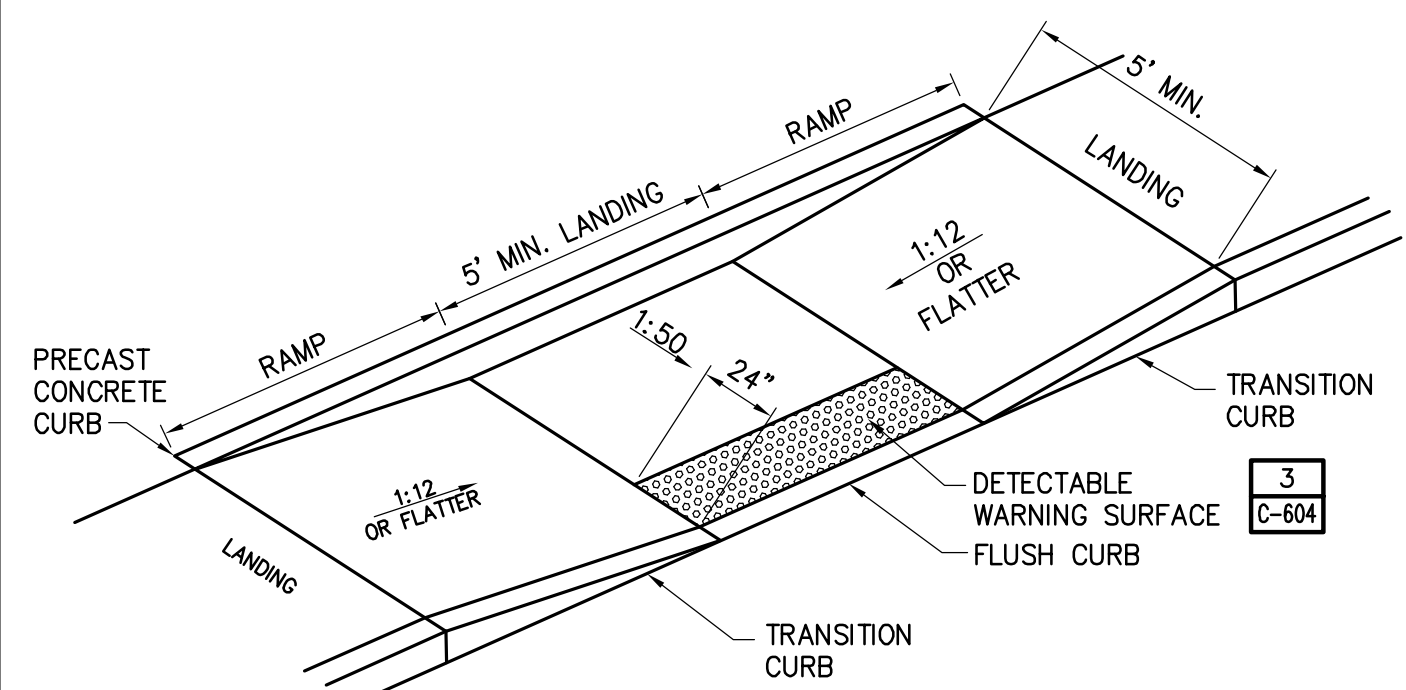
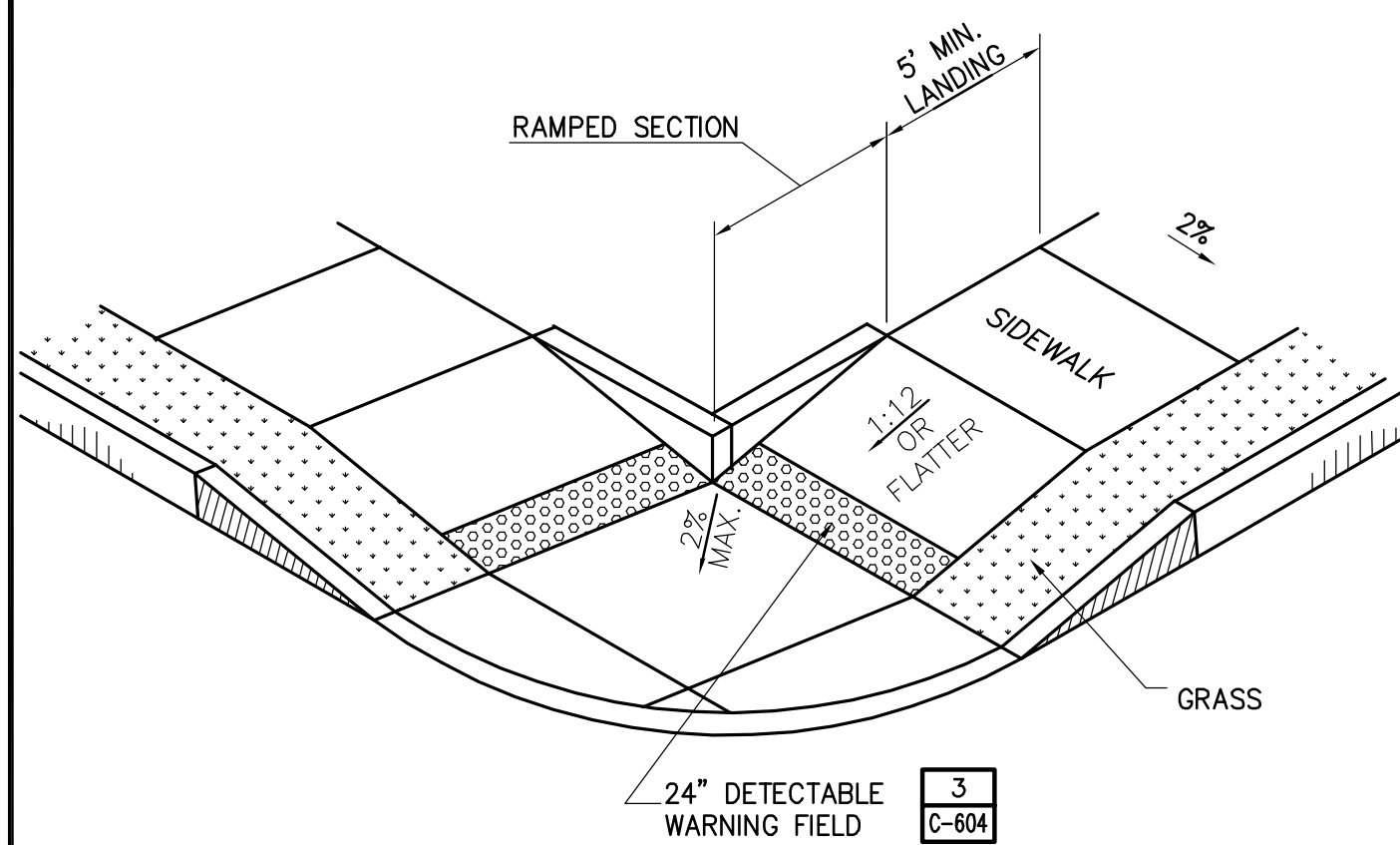
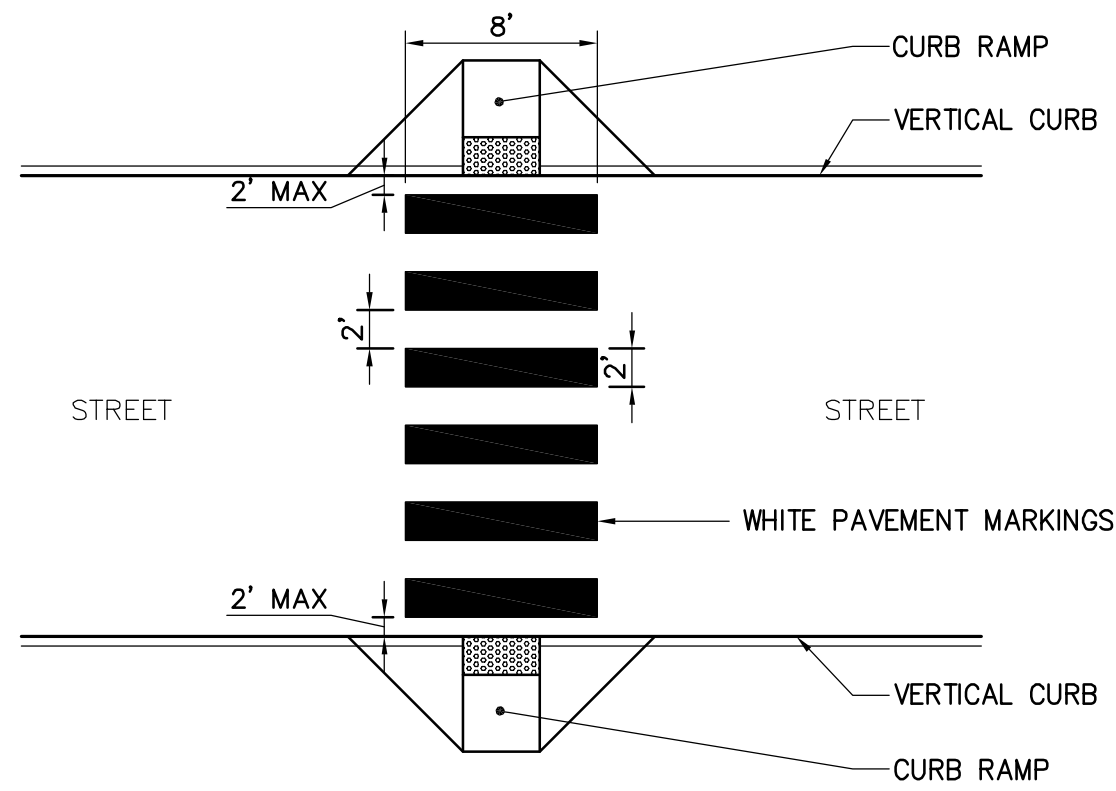
- NOTES:
1. NOTCH TRENCH DAM A MINIMUM OF 2'-0" BEYOND UNDISTURBED MATERIAL ON SIDES AND BOTTOM OF TRENCH.
 2. INSTALL TRENCH DAMS EVERY 200' IF WITHIN GROUND WATER TABLE. A MINIMUM OF ONE TRENCH DAM SHALL BE INSTALLED IF PIPE RUN IS GREATER THAN 50' BUT LESS THAN 200' AND WITHIN THE GROUND WATER TABLE.
 3. TRENCH DAM ARE TO BE CENTERED ON PIPE JOINTS.
 4. INSTALL TRENCH DAMS IN LOCATIONS WHERE GROUND WATER IS ENCOUNTERED.

1 TREE PROTECTION DETAIL SECTION SCALE: N.T.S.

4 CURB RAMP ON RADIUS OPTION "A" PLAN SCALE: N.T.S.

6 PARALLEL CURB RAMP PLAN SCALE: N.T.S.

9 TRENCH DAM SECTION, PLAN SCALE: N.T.S.

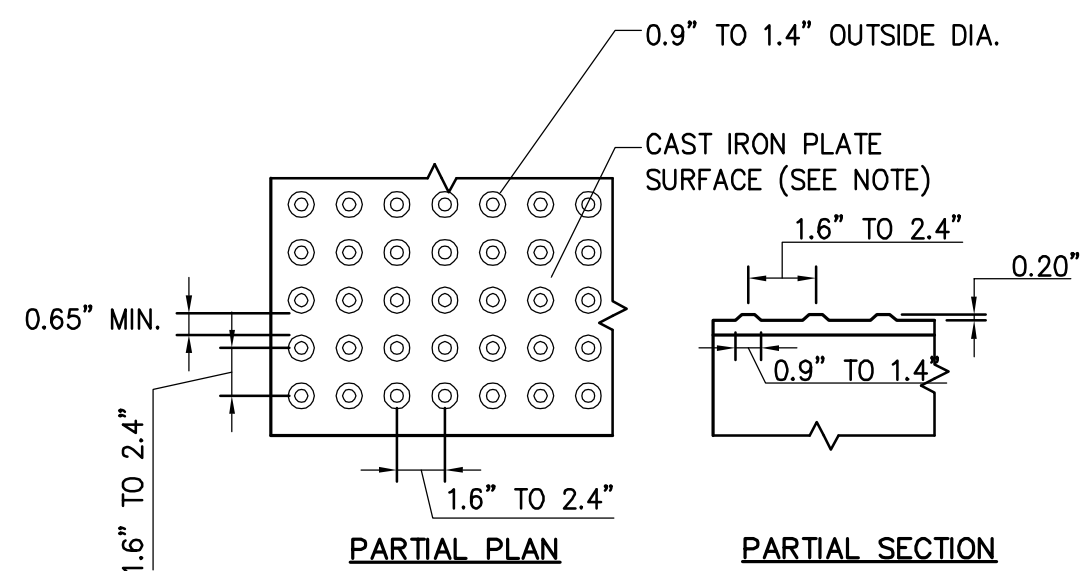


2 CROSS-WALK STRIPING DETAIL PLAN SCALE: N.T.S.

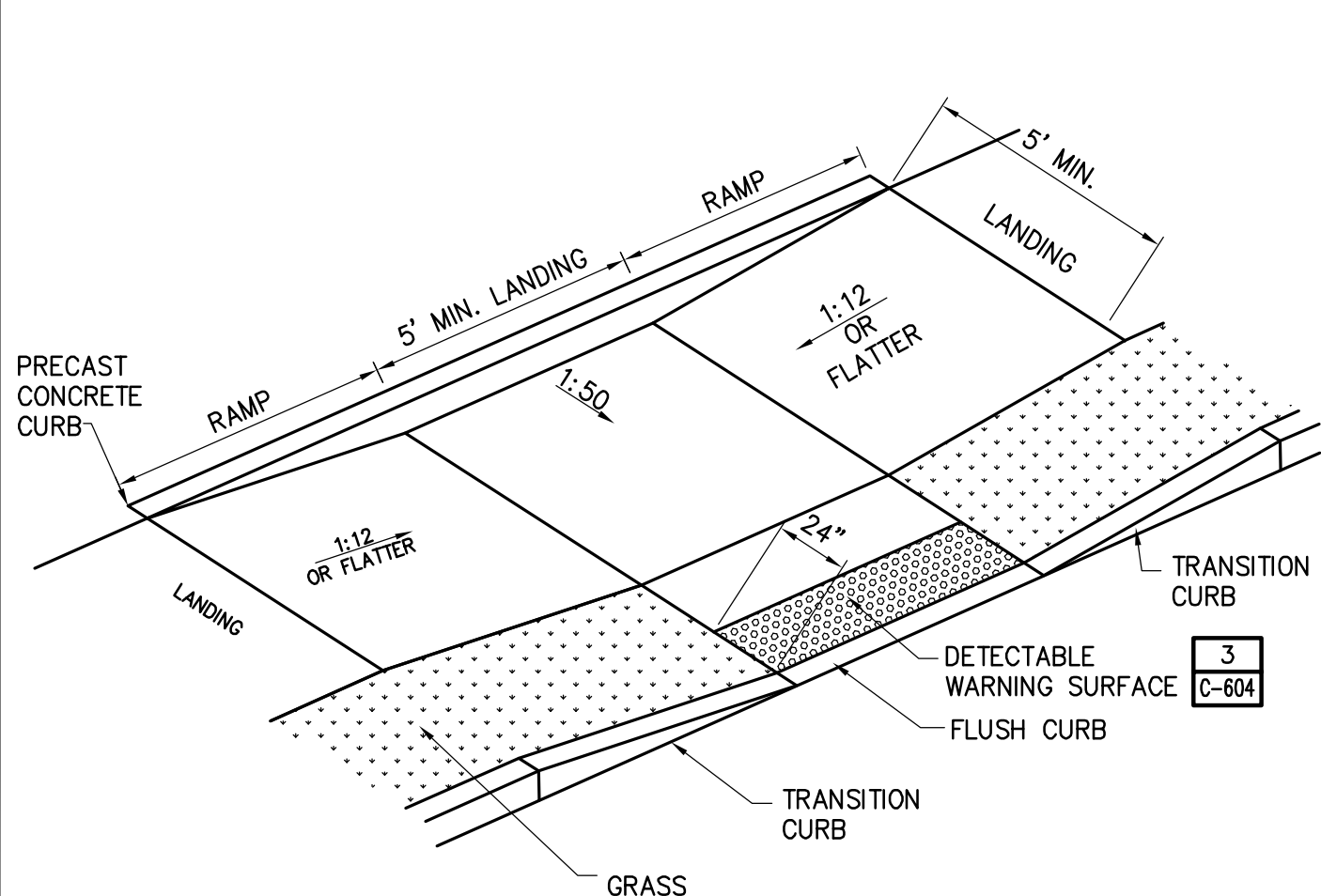
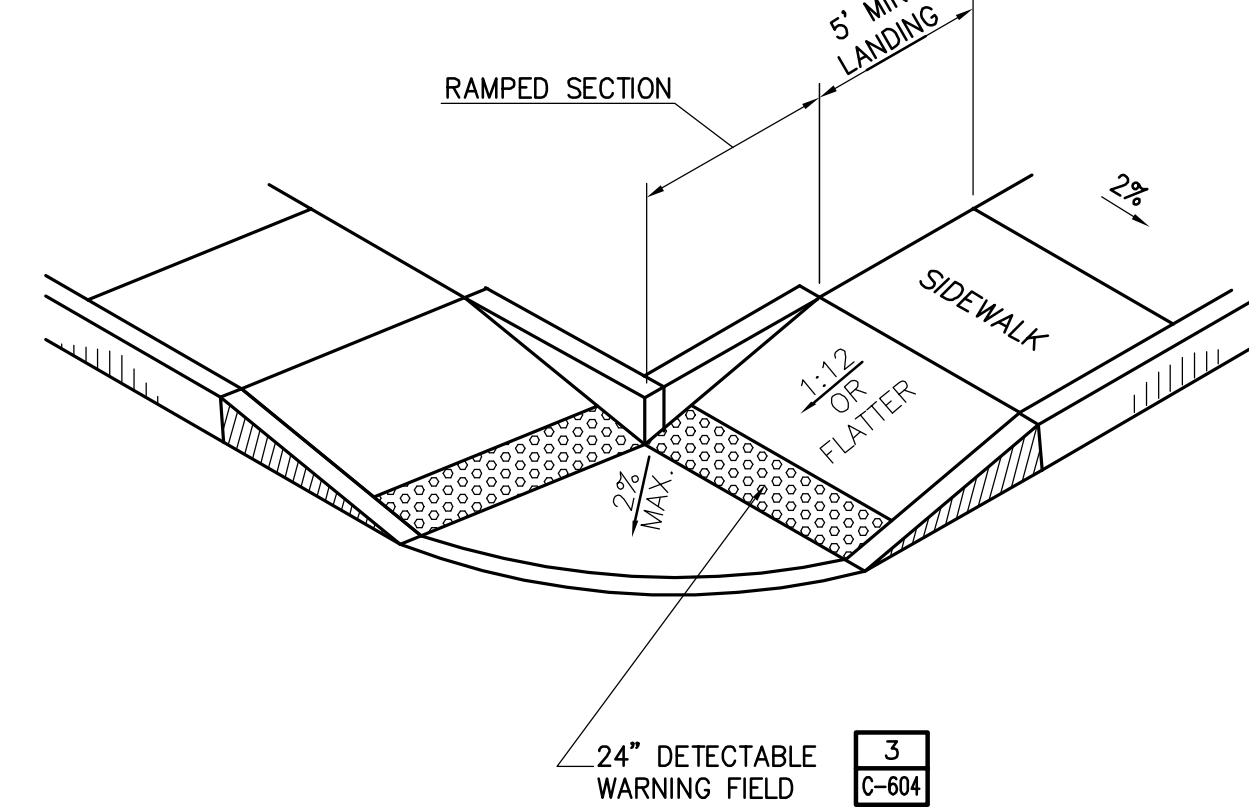
4 CURB RAMP ON RADIUS OPTION "B" PLAN SCALE: N.T.S.

7 PERPENDICULAR CURB RAMP OPTION "A" SECTION, PLAN SCALE: N.T.S.

10 NOT USED DETAIL TYPE (SECTION, PLAN, ELEVATION) SCALE: N.T.S.



NOTE:
THE TRUNCATED DOME SURFACE SHALL CONTRAST VISUALLY WITH ADJOINING WALKING SURFACES EITHER LIGHT-ON-DARK OR DARK-ON-LIGHT.



3 DETECTABLE WARNING FIELD DETAIL PLAN SCALE: N.T.S.

5 CURB RAMP ON RADIUS OPTION "C" PLAN SCALE: N.T.S.

8 PERPENDICULAR CURB RAMP OPTION "B" SECTION, ELEVATION SCALE: N.T.S.

Date	
By	
App'd	
Submitted / Revision	
No.	

BOROUGH OF NAUGATUCK
229 CHURCH STREET
NAUGATUCK, CT 06770

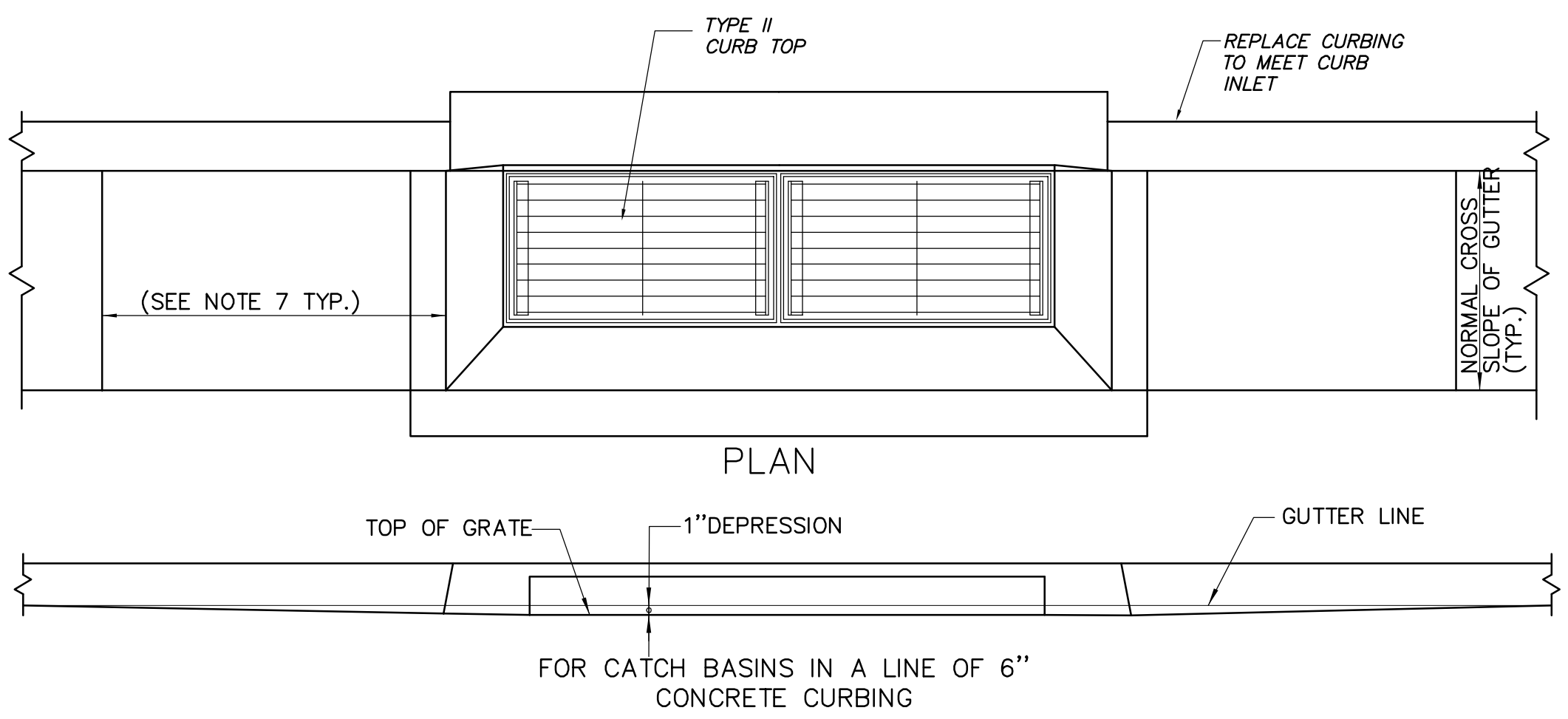
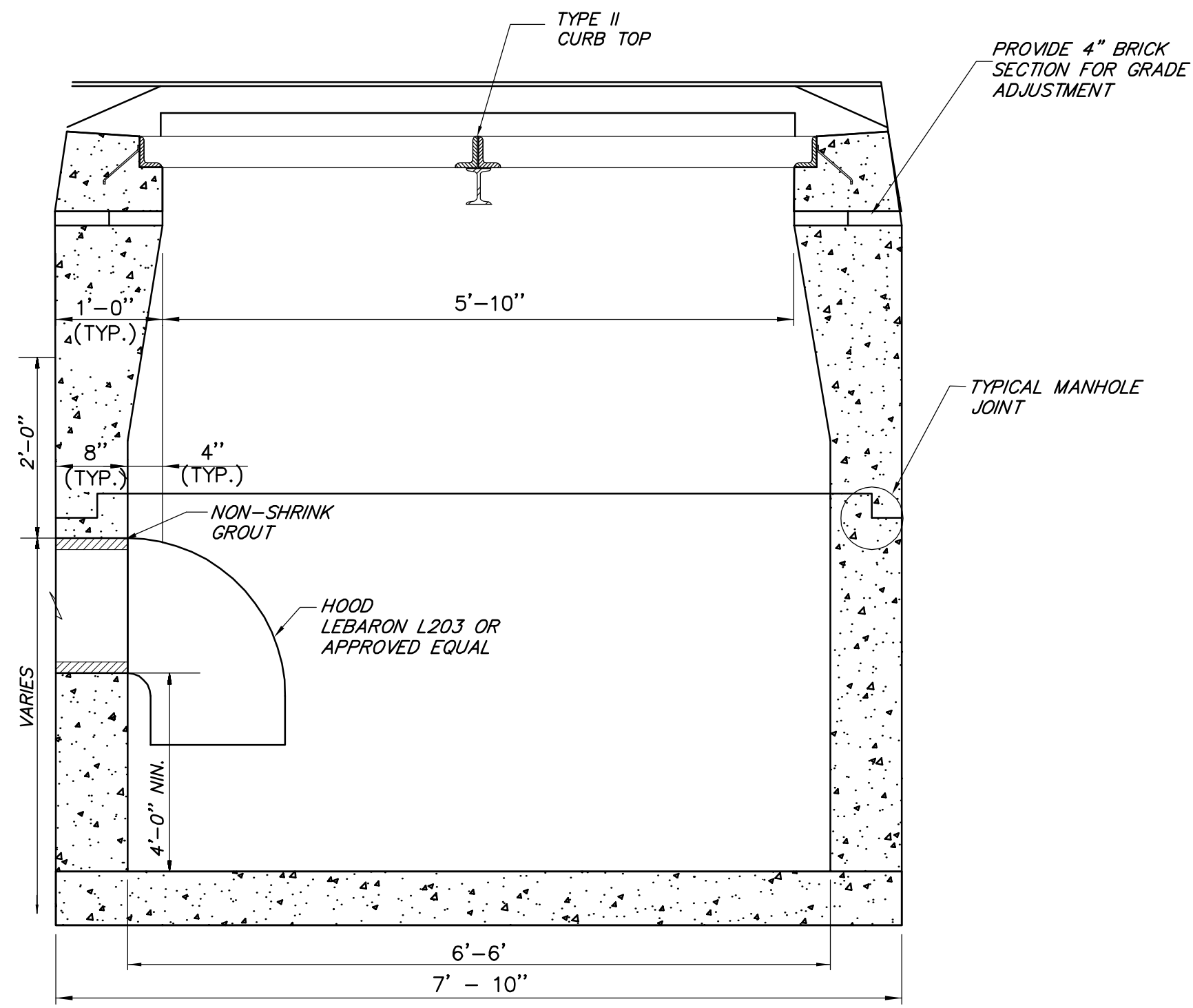
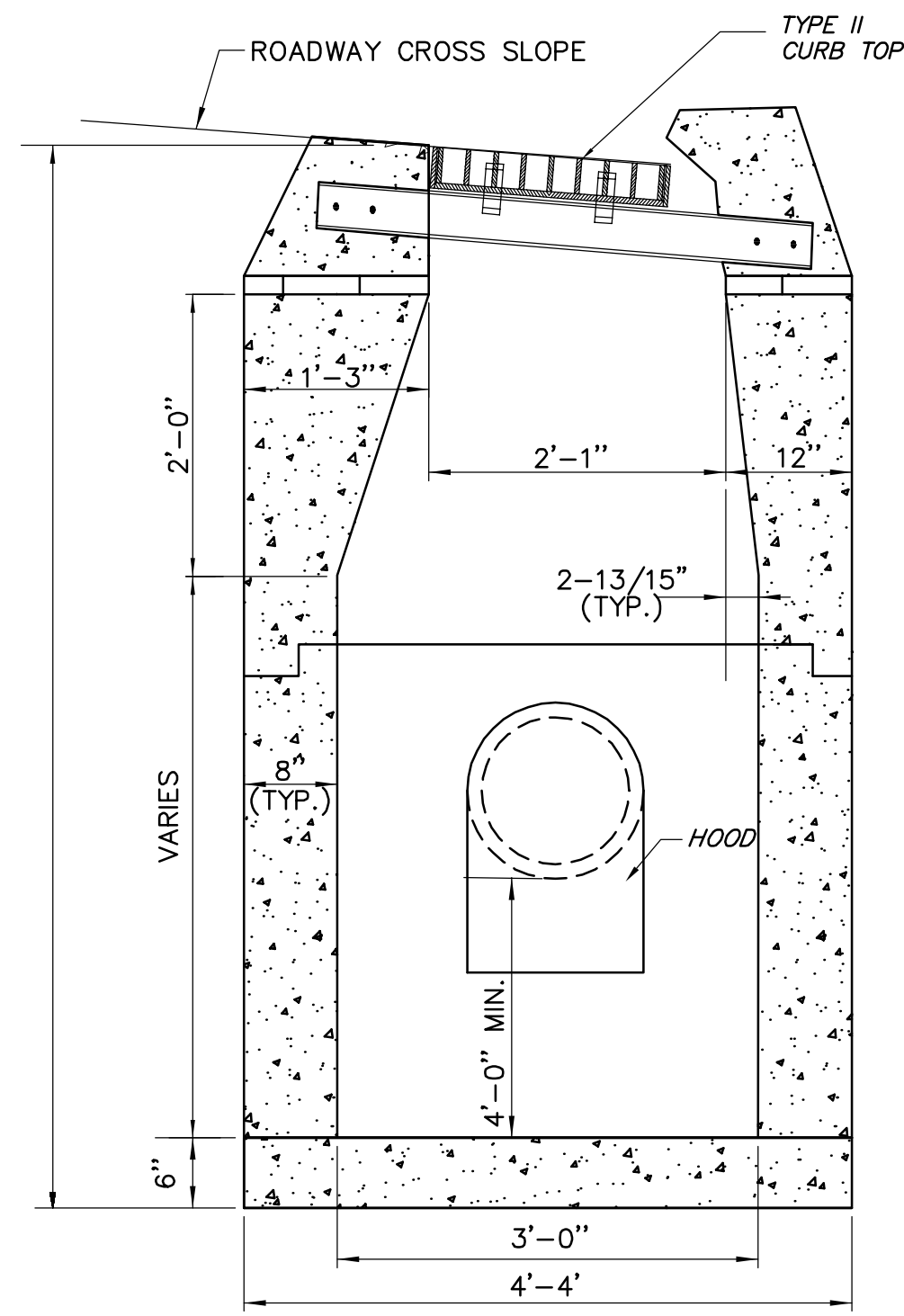
Drawing Copyright © 2010

 2139 Sas Deane Highway, Suite 212 - Rocky Hill, CT 06067-2936
 Main: (860) 257-4557 · www.ciacompanies.com
 Designed: MWT Drawn: MWT Checked: MWT

STORM SEWER IMPROVEMENTS
NETTLETON AVENUE
CONSTRUCTION DETAILS
 Issue Date: 9/10 Project No.: 20466 Scale: AS NOTED

C-604

File: I:\20466\CADD\CAD\SHEDT_FILES\NETTLETON_AVE_DESIGN\C-601_CONSTRUCTION_DETAILS.DWG
 Saved: 3/17/2011 6:12:18 PM Plotter: 3/18/2011 8:41:38 AM User: Taylor, Matthew



- GENERAL NOTES:**
- IF MASONRY UNITS ARE REQUIRED, THE BASIN SHALL BE CONSTRUCTED IN CONFORMANCE WITH THE OVER ALL DIMENSIONS SHOWN HERE AND SECTION 5.07 OF THE STATE OF CONNECTICUT'S STANDARD SPECIFICATIONS. CORBELING SHALL BE PERMITTED TO A MAXIMUM OF 3. NO PROJECTION SHALL EXTEND INSIDE THE LIMITS NOTED BY **.
 - WALL THICKNESS OF ALL CB'S OVER 10' DEEP SHALL BE INCREASED TO 12" THICK. INSIDE DIMENSION SHALL REMAIN THE SAME. (12" THICKNESS WILL START AFTER THE FIRST 10').
 - MINIMUM CONCRETE COMPRESSIVE STRENGTH OF F'c = 4000 PSI SHALL BE OBTAINED PRIOR TO SHIPPING.
 - LATEST STATE OF CONNECTICUT'S STANDARD SPECIFICATIONS AND SUPPLEMENTALS SHALL GOVERN.
 - USE APPROPRIATE CONCRETE TOP FOR CURBING SHOWN ON PLANS. IF CURBING IS NOT SPECIFIED ON THE PLANS, IT SHALL BE CONSTRUCTED AS DIRECTED BY THE ENGINEER.
 - ALL FACES OF STRUCTURES IN CONTACT WITH CONCRETE PAVEMENT SHALL BE COVERED WITH A LAYER OF TAR PAPER OR APPROVED EQUAL. THE COST FOR THE PAPER SHALL BE INCLUDED IN THE BID PRICE FOR THE TYPE OF CATCH BASIN INSTALLED.
 - USE 6'-0" ON UPGRADE SIDE OF CONTINUOUS GRADE AND 1'-0" ON DOWNGRADE SIDE OF CONTINUOUS GRADE OR AS DIRECTED.

1 TYPE "C" CATCH BASIN DOUBLE GRATE – TYPE II CURB TOP
SECTION, PLAN SCALE: N.T.S.

2	4	6	8
NOT USED DETAIL TYPE (SECTION, PLAN, ELEVATION) SCALE: N.T.S.	NOT USED DETAIL TYPE (SECTION, PLAN, ELEVATION) SCALE: N.T.S.	NOT USED DETAIL TYPE (SECTION, PLAN, ELEVATION) SCALE: N.T.S.	NOT USED DETAIL TYPE (SECTION, PLAN, ELEVATION) SCALE: N.T.S.
3	5	7	9
NOT USED DETAIL TYPE (SECTION, PLAN, ELEVATION) SCALE: N.T.S.	NOT USED DETAIL TYPE (SECTION, PLAN, ELEVATION) SCALE: N.T.S.	NOT USED DETAIL TYPE (SECTION, PLAN, ELEVATION) SCALE: N.T.S.	NOT USED DETAIL TYPE (SECTION, PLAN, ELEVATION) SCALE: N.T.S.

Date	By	App'd	Submittal / Revision	No.

BOROUGH OF NAUGATUCK
229 CHURCH STREET
NAUGATUCK, CT 06770

DRAWING PREPARED IN ACCORDANCE WITH THE LATEST EDITION OF THE STANDARD SPECIFICATIONS FOR HIGHWAY CONSTRUCTION, APPLICABLE STATE AND/OR LOCAL LAWS.

CHIA

2139 Sas Deane Highway, Suite 212 - Rocky Hill, CT 06067-2936
Main: (860) 257-4557 · www.chiacompanies.com

Designed: MWT Drawn: MWT Checked: MWT

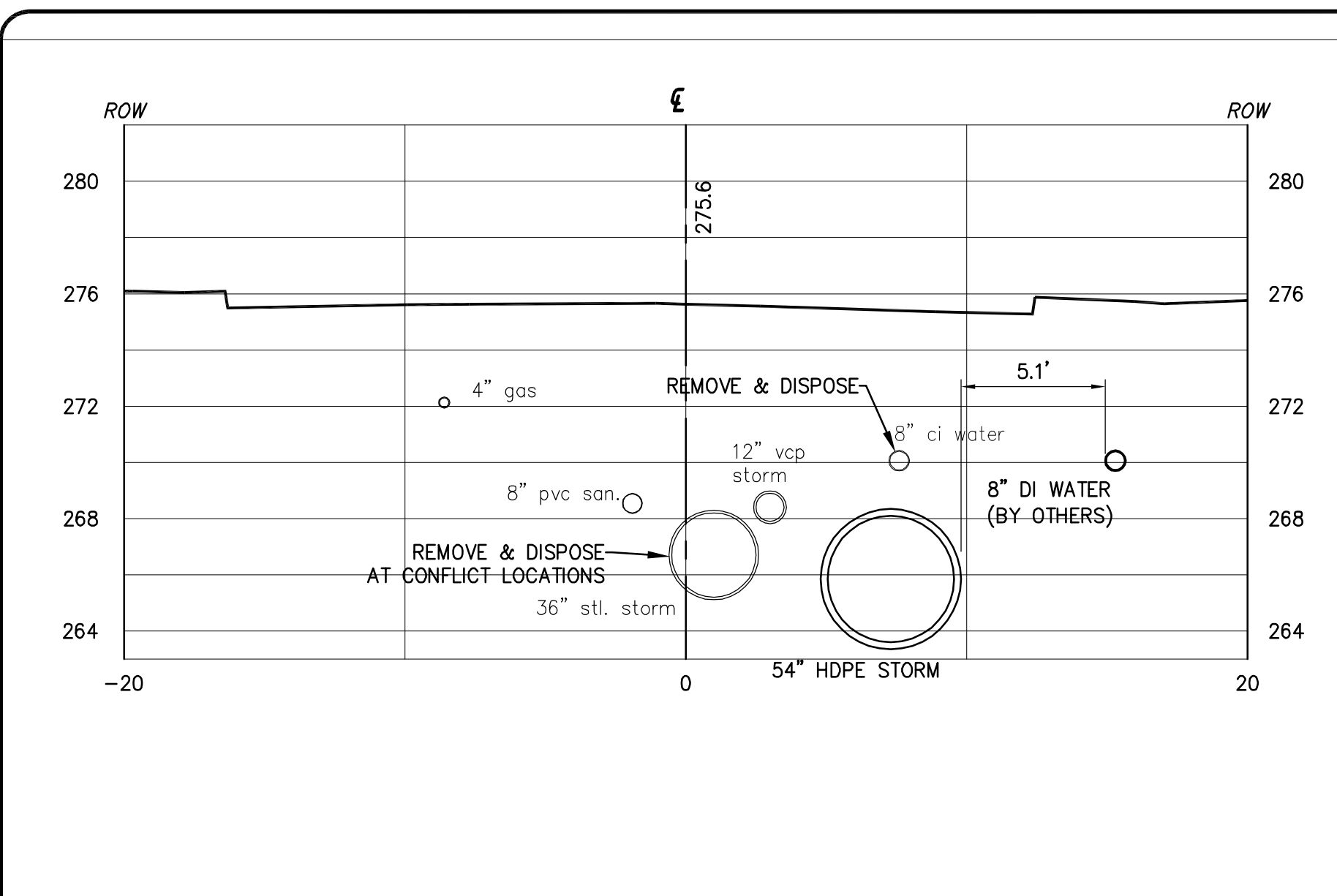
STORM SEWER IMPROVEMENTS
NETTLETON AVENUE
CONSTRUCTION DETAILS

Issue Date: 9/10 Project No.: 20466 Scale: AS NOTED

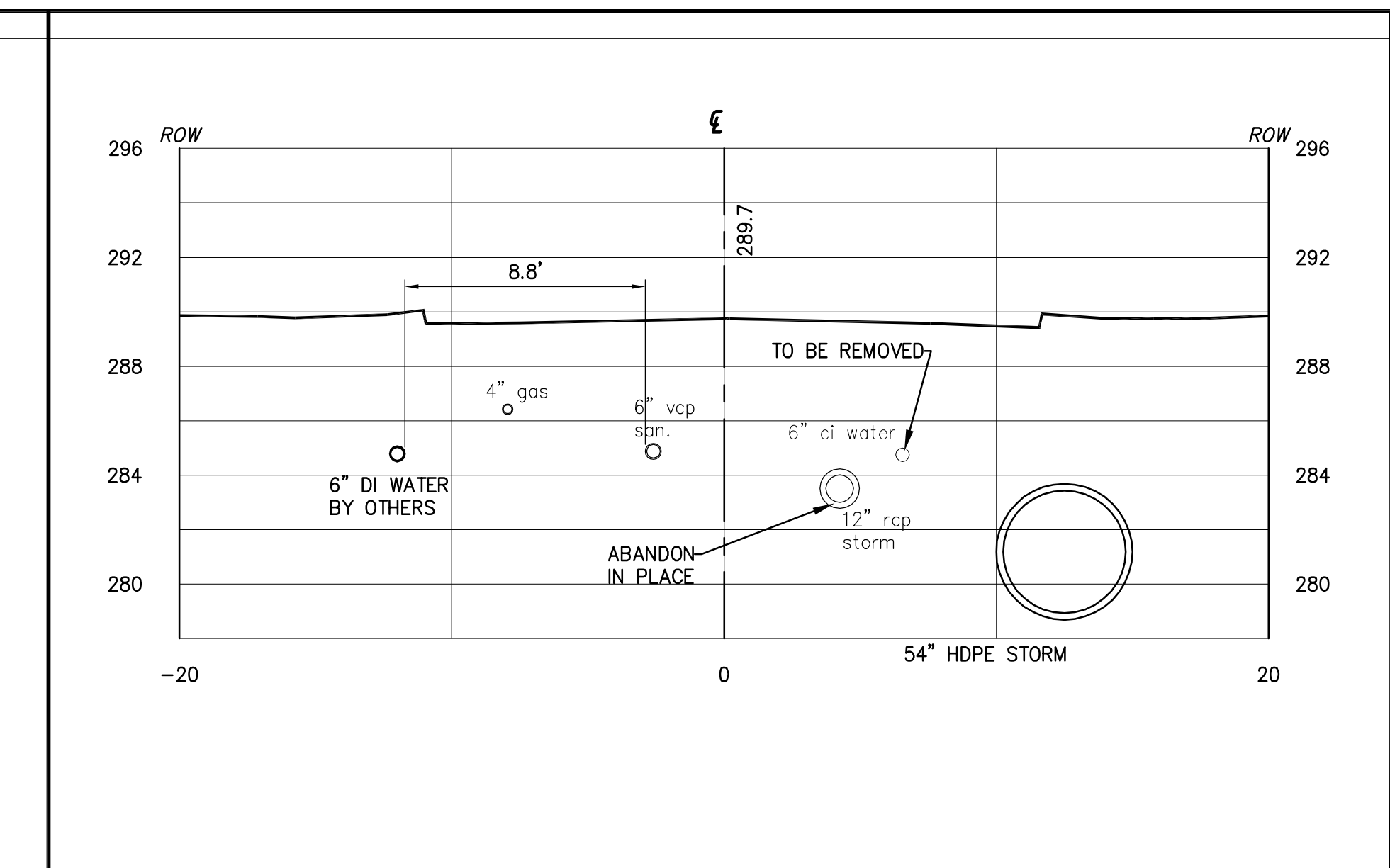
C-605

File: I:\20466\CADD\CAD\SHEDT_FILES\NETTLE AVE DESIGN\C-601 CONSTRUCTION DETAILS.DWG
Saved: 3/17/2011 6:12:18 PM Plotted: 3/18/2011 8:41:44 AM User: Taylor, Matthew

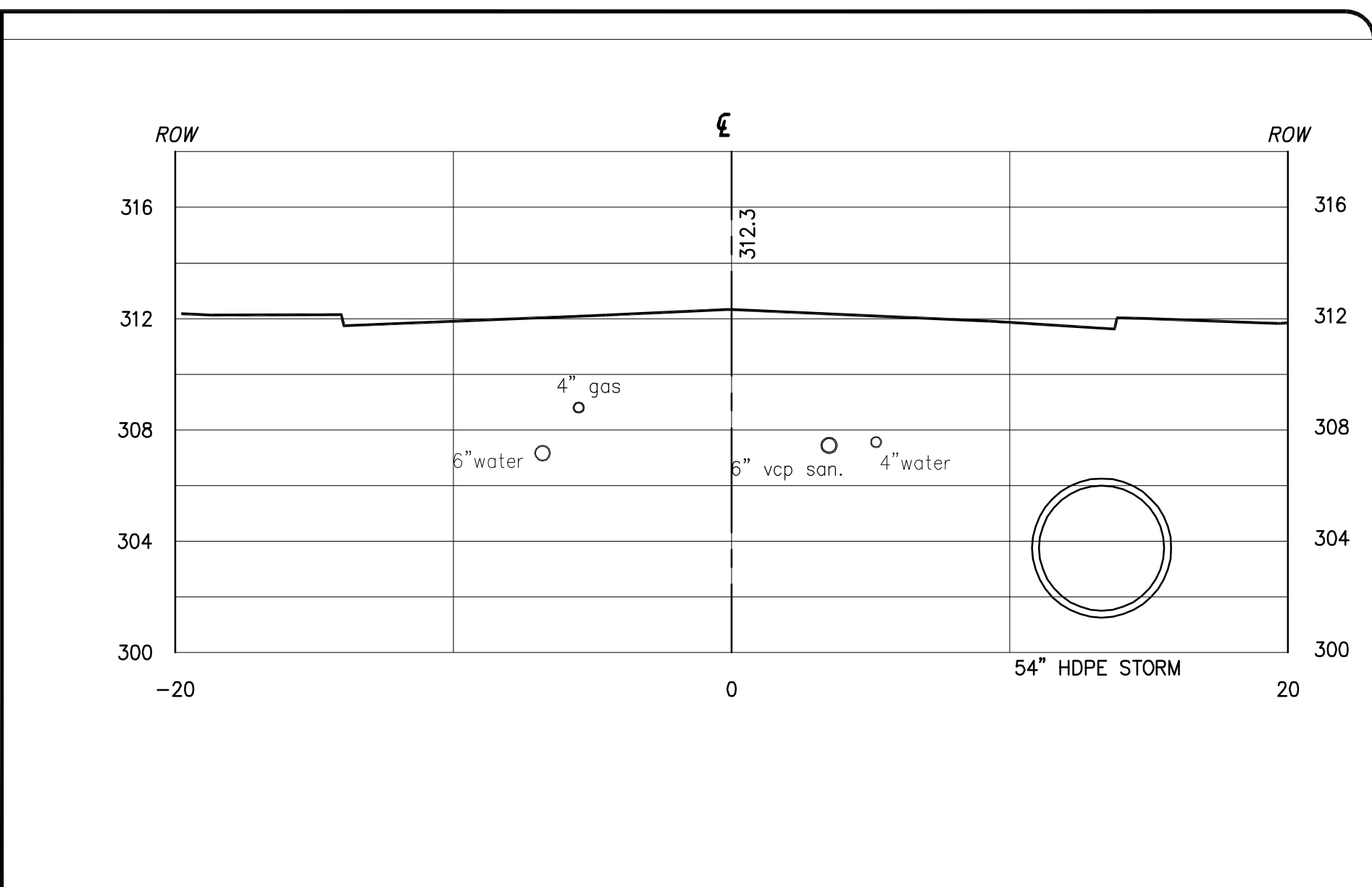
File: I:\00466\CADD\CADD_SHEET_FILES\NETTLE AVE DESIGN\C-701 TYPICAL SECTIONS.DWG
 Saved: 9/23/2010 9:19:44 AM Plotted: 3/18/2011 8:41:55 AM User: toyer, Mettrew



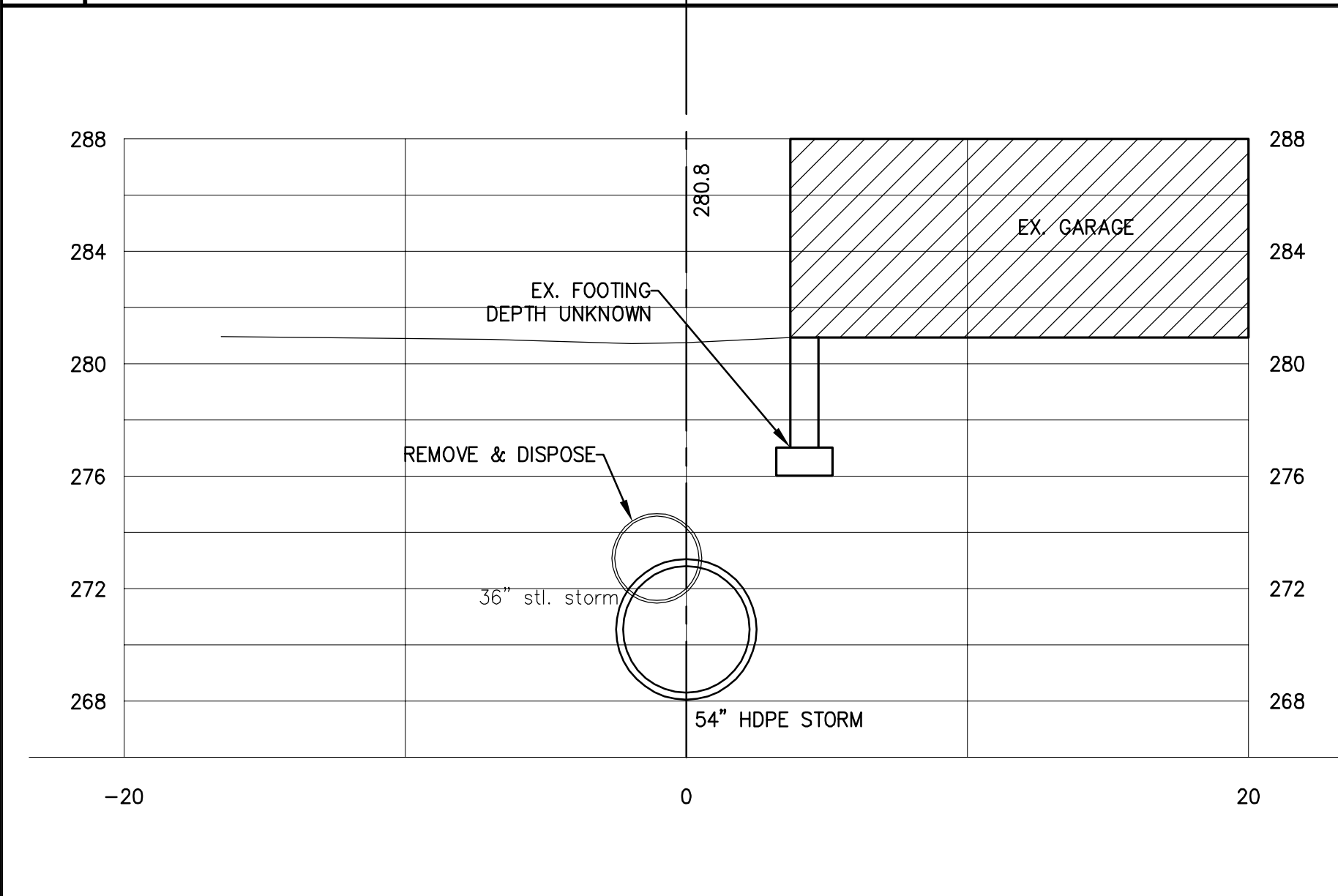
1 STATION 1+00-LECLAIR COURT
SECTION



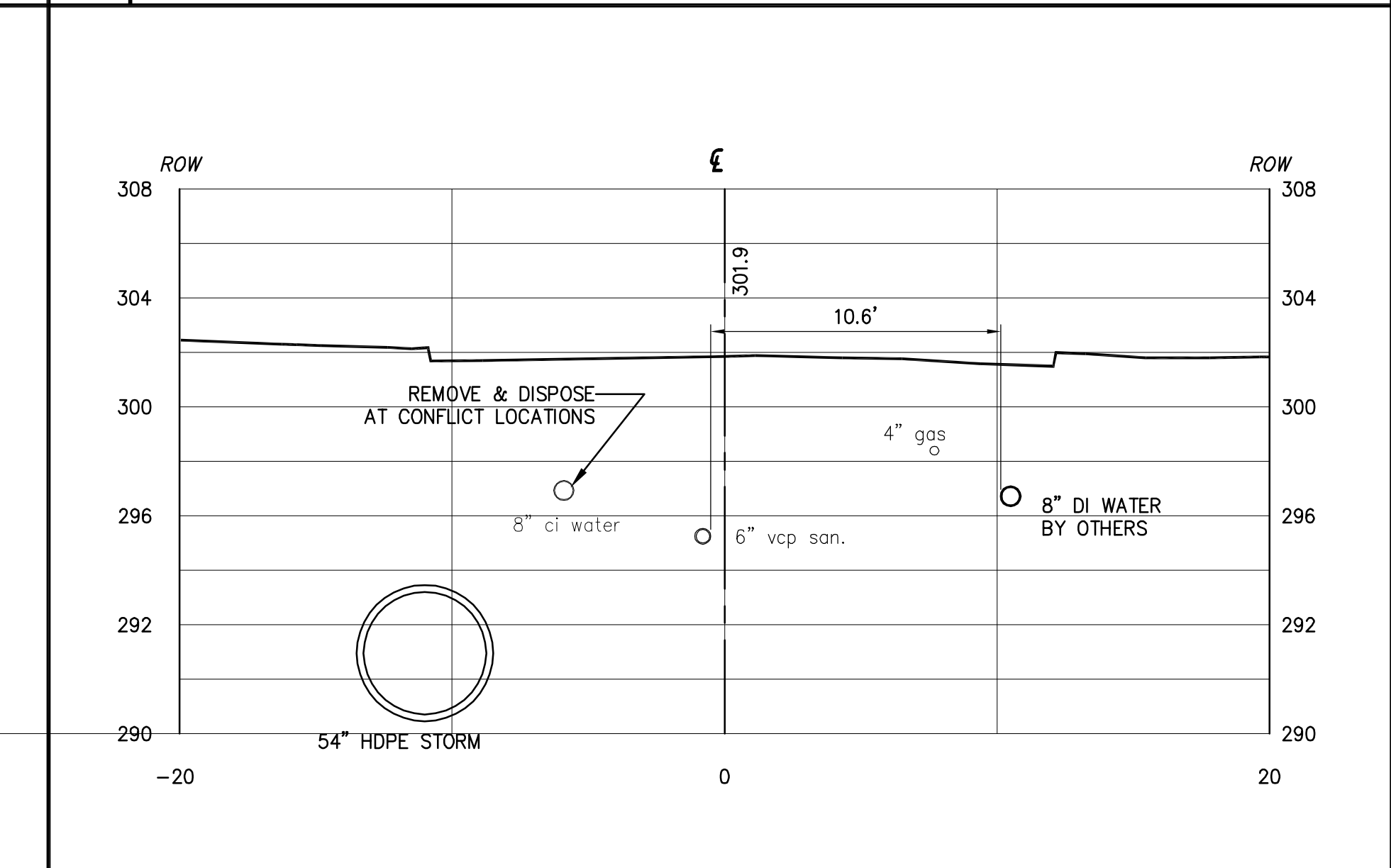
4 STATION 6+50-MOORE AVENUE
SECTION



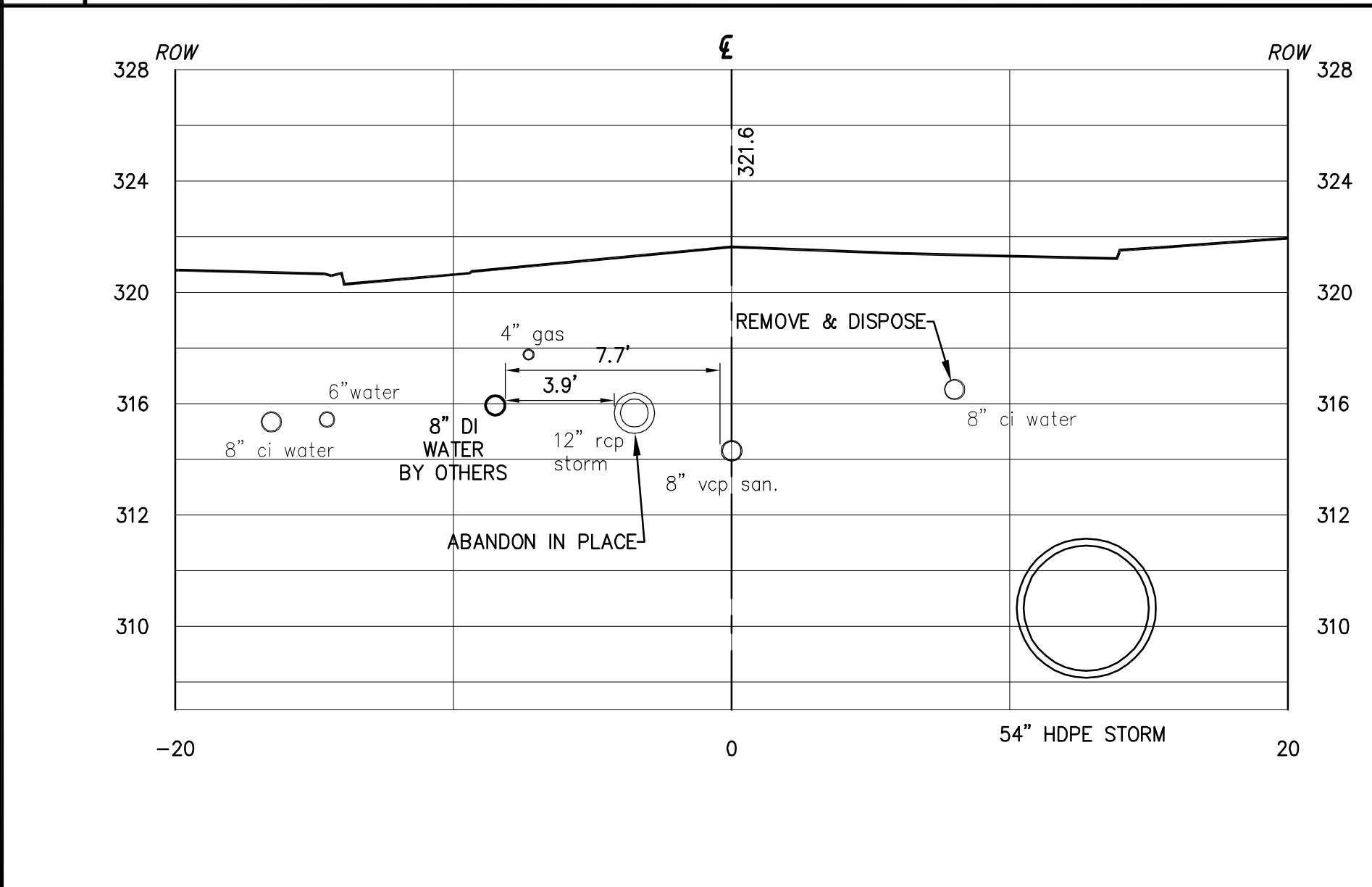
7 STATION 11+75-GOODYEAR AVENUE
SECTION



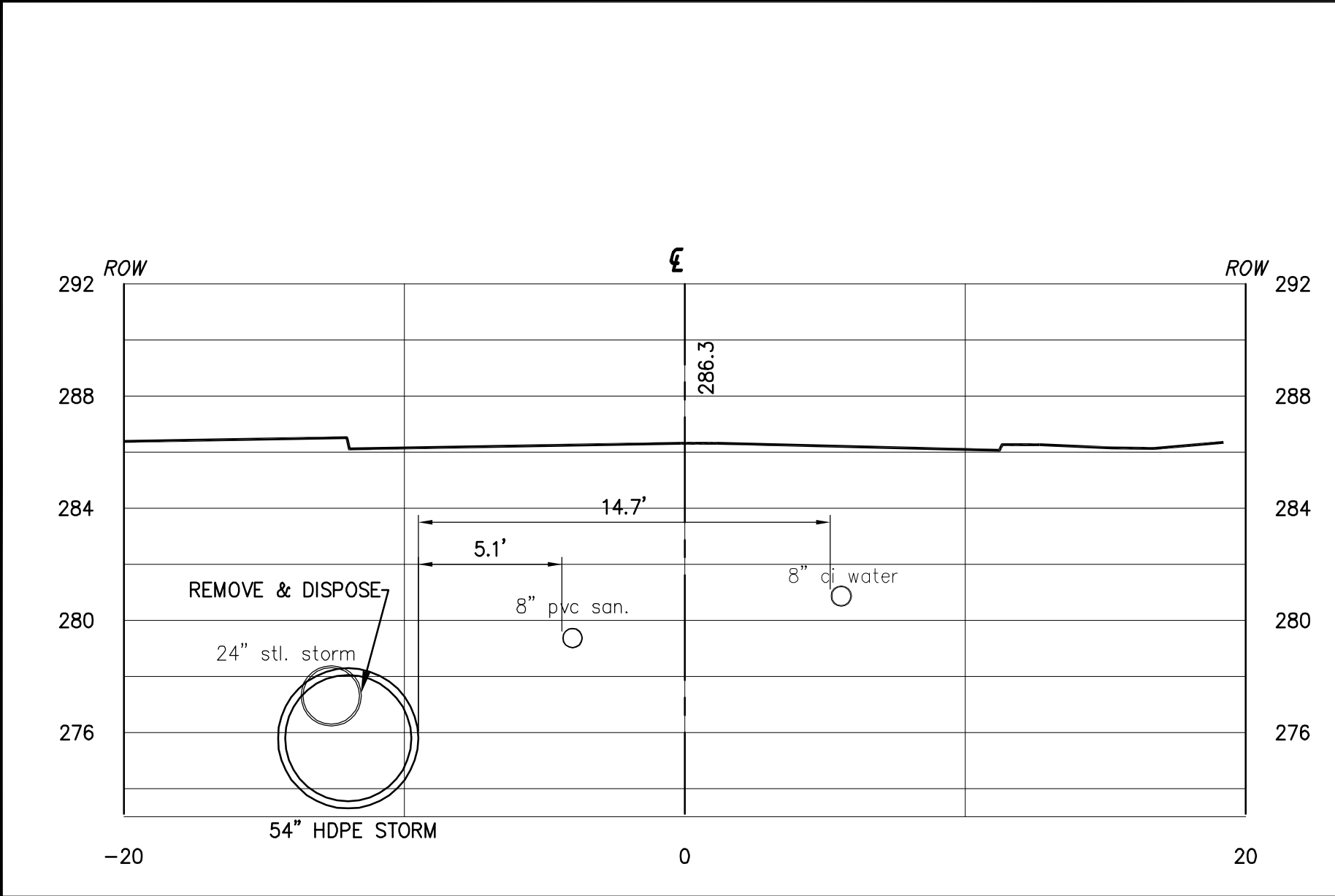
2 SECTION



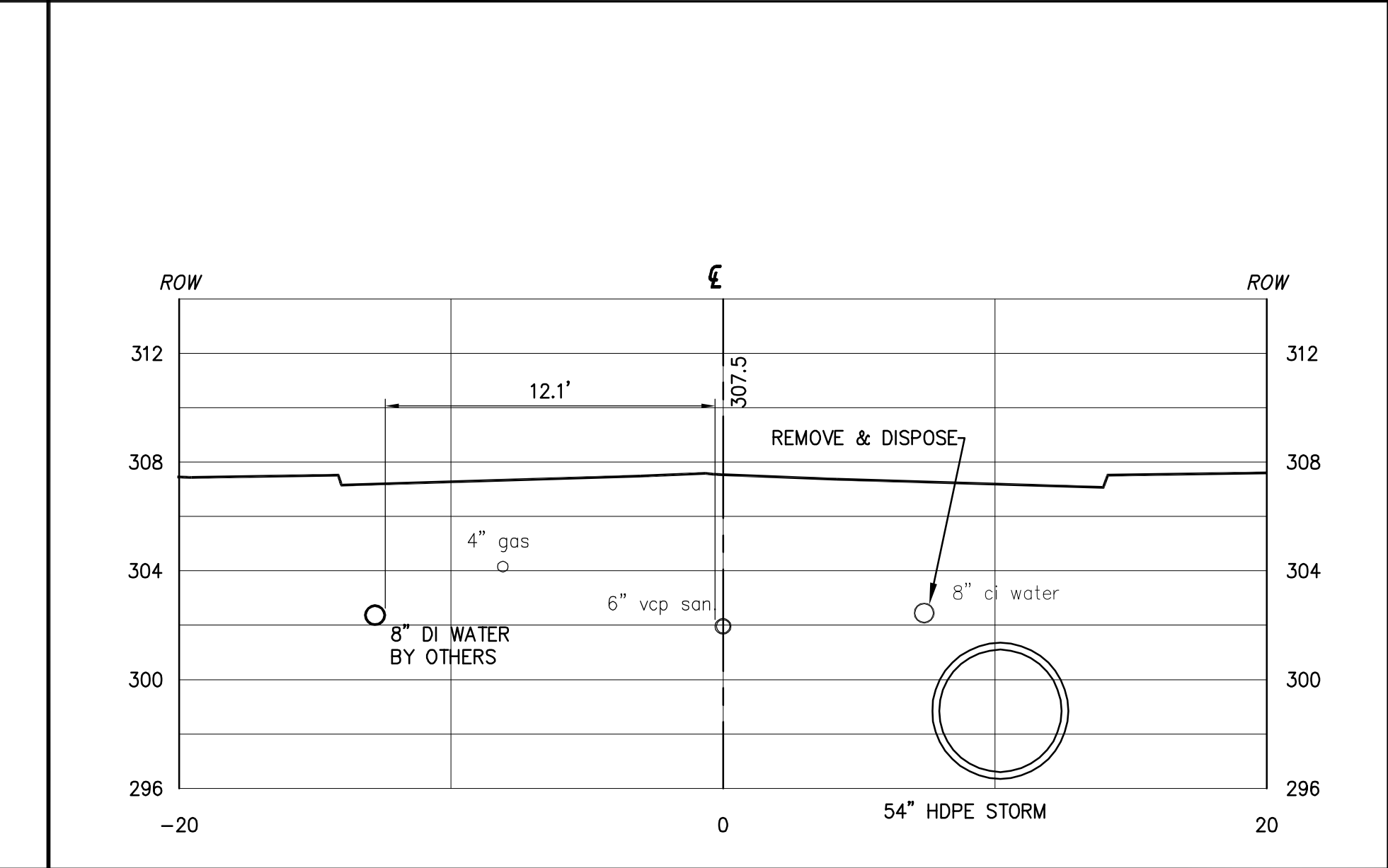
5 STATION 9+00-NETTLETON AVENUE
SECTION



8 STATION 14+25-HIGHLAND AVENUE
SECTION



3 STATION 5+00-LYNN ROAD
SECTION



6 STATION 10+25-TROWBRIDGE PLACE
SECTION

NOTES

- UTILITY LOCATIONS ARE APPROXIMATE.
- EXISTING INVERTS ARE ASSUMED.
- PROPOSED WATER MAIN TO BE DESIGNED & CONSTRUCTED BY OTHER. INFORMATION SHOWN FOR COORDINATION PURPOSES

Scale in feet

No.	Submission / Revision	App'd	By	Date

BOROUGH OF NAUGATUCK
229 CHURCH STREET
NAUGATUCK, CT 06770

UNAUTHORIZED ALTERATION OR ADDITION
APPLICABLE STATE AND/OR LOCAL LAWS

Drawing Copyright © 2010

 2138 Silas Deane Highway, Suite 212, Rocky Hill, CT 06067-2386
 Main: (860) 257-4557 · www.ciacompanies.com
 Designed: MVT Drawn: MVT Checked:

STORM SEWER IMPROVEMENTS
NETTLETON AVENUE
TYPICAL SECTIONS
Project No.: 20466 Scale: AS NOTED
Issue Date: 9/10

C-701